

# HD VARIABLE FRAME RATE CAMERA VFC-7000A "FLASH EYE"



\*Lens is optional. Actual products may differ in appearance.

Compact, lightweight and configured as an all-in-one self-contained unit, the VFC-7000A is an easy to operate variable frame rate camera that is capable of high-speed HD recordings.

- High-speed 700 fps (1280 x 720 pixels) recording
- 24 to 700 fps (1280 x 720 pixels) variable frame rate
- High-sensitivity CMOS color sensor
- Lens mount: F mount (PL mount option to be available.)
- Electronic high-speed shutter: Up to 1/200,000 sec for recording fast subjects without blur
- Recording time: 9.8 sec standard (700 fps), expandable to 29.4 sec (700 fps/ optional)
- 2 HD-SDI output: Simultaneous output of live and recorded video is possible.
- Genlock capability (BB/Tri-level Sync)
- Operation unit with fader bar allows intuitive and smooth operation.
- IRIS control (optional)

**Specifications (Provisional)**

Camera unit	
Lens Mount	F mount *PL or B4 mount option available
Shutter Speed	Selectable from preset values between 1/Shooting Speed to 1/200,000 sec.
Memory Division	Undivided or divided into 2, 4, or 8 selectable areas
Video Settings	Gain: 0 dB, 6 dB, or 12 dB selectable White Balance: Selectable from Semi-auto and preset values
HD-SDI Outputs	Channel 1: Outputs live or slow motion video Channel 2: Outputs live video (for viewfinder)
Output Formats	720/59.94p, 720/50p, 1080/59.94i, or 1080/50i
Genlock Input	BB: NTSC: 0.429 Vp-p/PAL: 0.45 Vp-p or Tri-level sync: ±0.3 V
Genlock Mode	External (BB or Tri-level sync) or Internal
Trigger / Trigger Signal Input	Start, center, end / Input through the operation unit or contact signal
Interfaces	1000BASE-T (For connecting to the operation unit)
Temperature / Humidity	0°C to 40°C / 85% or less (no condensation)
Power / Consumption	12 V DC to 17 V DC / 24 W (32 W with full options)
Dimensions	115 (W) × 116 (H) × 244 (D) mm (excluding protrusions)
Weight	2.2 kg (2.6 kg with full options)
Consumables	Cooling Fan: Replace every 4 years (at normal temperature)
Accessories	Operation unit, AC adapter x 2, AC cord x 2, LAN cable (5m), Operation Manual
Options	VFC-70-30SEC: 16GB memory expansion VFC-70PL1: PL lens mount with shims VFC-70IRIS: B4 lens mount with IRIS control VFC-70MSC*: Sync cable (1m)

Operation Unit	
Interfaces	100BASE-TX/1000BASE-T (For connecting to the camera)
Temperature/Humidity	0°C to 40°C/30% to 85% (no condensation)
Power / Consumption	12 V DC to 17 V DC/17.6 W
Dimensions	256 (W) × 62.7 (H) × 215 (D) mm
Weight	2.2 kg
Consumables	Button battery (for backup): Replace every 3 years (at normal temperature)

**Frame rate/Recording time**

Frame Rate (fps)	Recording Time (sec.)	
	Standard	Expansion
24	287.3	861.9
25	275.8	827.5
30	229.8	689.5
50	137.9	413.7
60	114.9	344.7
100	68.9	206.8
120	57.4	172.3
150	45.9	137.9
180	38.3	114.9

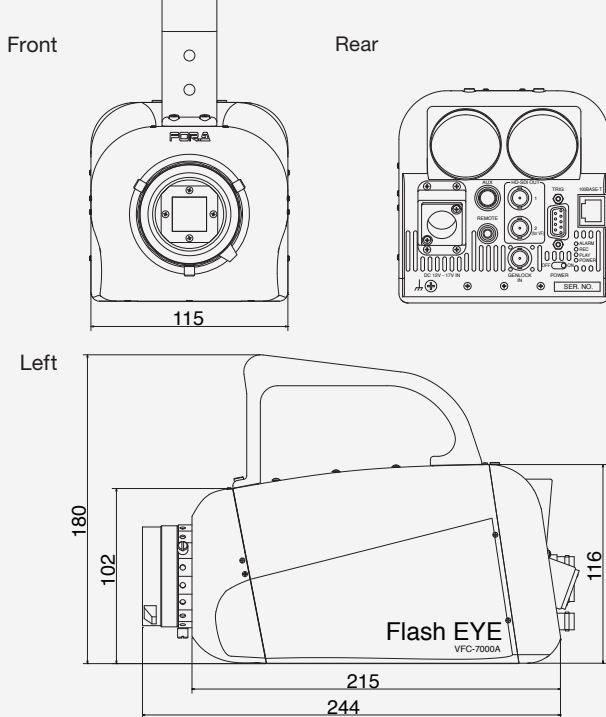
Frame Rate (fps)	Recording Time (sec.)	
	Standard	Expansion
200	34.4	103.4
240	28.7	86.1
250	27.5	82.7
300	22.9	68.9
360	19.1	57.4
400	17.2	51.7
500	13.7	41.3
600	11.4	34.4
700	9.8	29.5

fps: frames per second

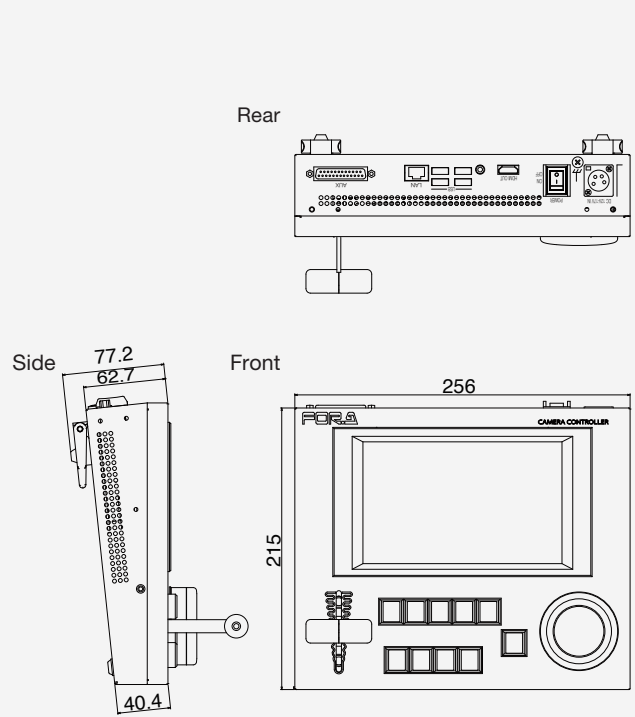
\*Simul. recording and playback by two cameras is possible by connecting with VFC-70MSC option

**External view**

**Camera unit**



**Operation unit**



Head Office: 3-8-1 Ebisu, Shibuya-ku, Tokyo 150-0013, Japan

**FOR-A Corporation of America Corporate Office:** Tel: +1-714-894-3311

11155 Knott Ave., Suite G&H, Cypress, CA 90630, U.S.A.

**FOR-A Corporation of America Northeast Office:** Tel: +1-201-944-1120

2 Executive Drive, Suite 670, Fort Lee, NJ 07024, U.S.A.

**FOR-A Corporation of America Southeast Office:** Tel: +1-305-931-1700

8333 North West 53rd Street, Suite 450, Doral, FL 33166, U.S.A.

**FOR-A Corporation of America Service Center:** Tel: +1-352-371-1505

2400 N.E. Waldo Road, Gainesville, FL 32609, U.S.A.

**FOR-A Europe S.r.l.:** Tel: +39-039-916-4811

Via Volturmo, 37, 20861 Brugherio MB, Italy

**FOR-A UK Limited:** Tel: +44-(0)20-3044-2935

Trident Court, 1 Oakcroft Road, Chessington, KT9 1BD, UK

ISO 9001 and 14001 certified (Sakura R&D)

[www.for-a.com](http://www.for-a.com)

Tel: +39-039-881-086/103

**FOR-A Italia S.r.l.:**

Via Volturmo, 37, 20861, Brugherio MB, Italy

**FOR-A Corporation of Korea:** Tel: +82-(0)2-2637-0761

1007, 57-5, Yangsan-ro, Yeongdeungpo-gu, Seoul 150-103, Korea

**FOR-A China Limited:** Tel: +86-(0)10-8721-6023

1307 Huateng Building, No. 302, 3 District, Jinsong, Chaoyang, Beijing 100021, China

**FOR-A Middle East-Africa Office:** Tel: +971-(0)4-551-5830

Dubai Media City, Aurora Tower, Office 1407, P.O. Box 502688, Dubai, UAE

**Agiv FOR-A India Private Limited:** Tel: +91-22-2673-3623

2nd Floor, Valecha Chambers, Link Road, Andheri (W), Mumbai 400053, India

**FOR-A South East Asia Office:** Tel: +852-2110-1352

Studio 09, Rm. A1, 3/F., Phase 1, Hang Fung Ind. Bldg., 2G Hok Yuen St., Hung Hom, Hong Kong