

# HVS-6000/6000M Quick Setup Guide

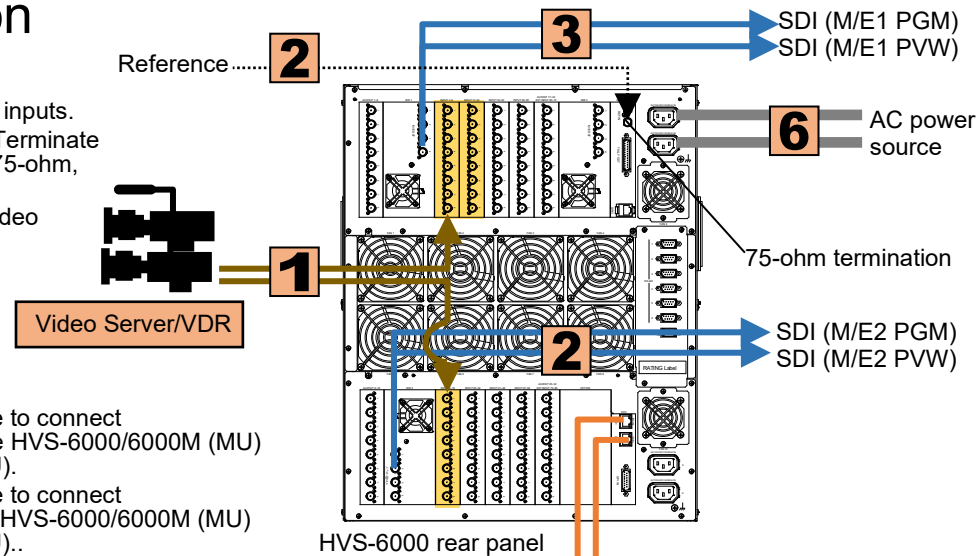
## 2120ROU/2240OU/2240OUA/3320OU



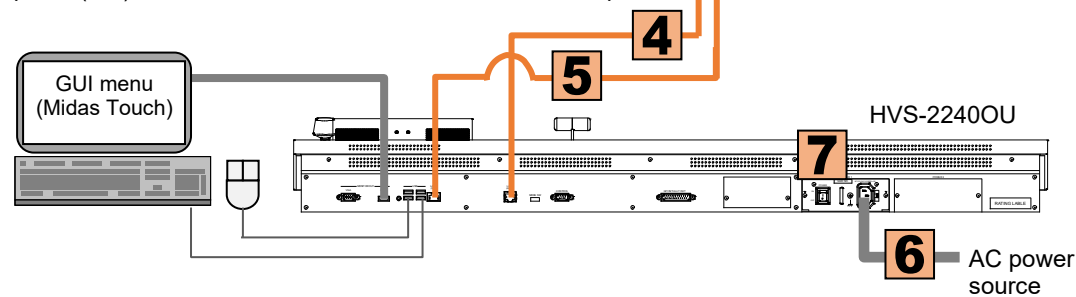
MU Bundled Items	OU Bundled	2120	2240	3320
AC power cable	LAN cable	2	2	2
USB flash drive (User manual)	AC power cable	-	1	1
Quick Setup Guide (This guide)	AC adapter	1	-	-
	Bus button partition plate	-	10	21
	User button cover plate	-	-	10

### 1. Connection

- Connect SDI video signal inputs.
- Input a reference signal. Terminate the other connector with 75-ohm, if it is not looped-through.
- Connect combined SDI video signal outputs.



- Use a supplied LAN cable to connect LAN1 (MAIN) ports on the HVS-6000/6000M (MU) and the control panel (OU).
- Use a supplied LAN cable to connect LAN2 (SUB) ports on the HVS-6000/6000M (MU) and the control panel (OU).



- Supply power to the MU and the OU respectively using the supplied AC power cables.
- Turn on power switch(es) on the OU rear panel.
- Turn on power switch(es) on the MU front panel.

### 3. Select System Signal Format

- A menu is displayed on the control panel at power ON.
- Tap the **SETUP** tab in the menu.
- Tap **SYSTEM**, then **FORMAT** to display the [SETUP > SYSTEM > FORMAT] menu.
- Turn **F1** to select the signal format, then press **F1**.
- Turn **F2** to select the aspect ratio.
- Tap **REBOOT** to display the [SETUP > SYSTEM > REBOOT] menu.
- Turn **F1** to select EXEC under REBOOT, then press **F1** to reboot the system. After a restart, the new format is applied.

#### Precautions

- Operate the unit **only** at the specified supply voltage.
- Ensure** the unit is properly grounded at all times.
- Ensure** the power cord and connectors are firmly connected.
- Do not** install/uninstall cards with power applied to the unit.
- Unit **should not** be operated or stored with the cover, panels, and/or casing removed.

- Unit **should not** be operated or stored in a humid, dusty, etc. environment. Doing so could result in fire or electrical shock.
- Do not** allow fluids, metal fragments, or any other foreign objects to enter the unit. If foreign matter does enter the unit, turn the power off and disconnect the power cord immediately. Remove the material or contact your authorized service representative.
- If you notice any strange smells or noises coming from the unit, turn the power off immediately, disconnect the power cord, then contact your authorized service representative.

### 4. Video Output

#### Select an M/E1PGM Video

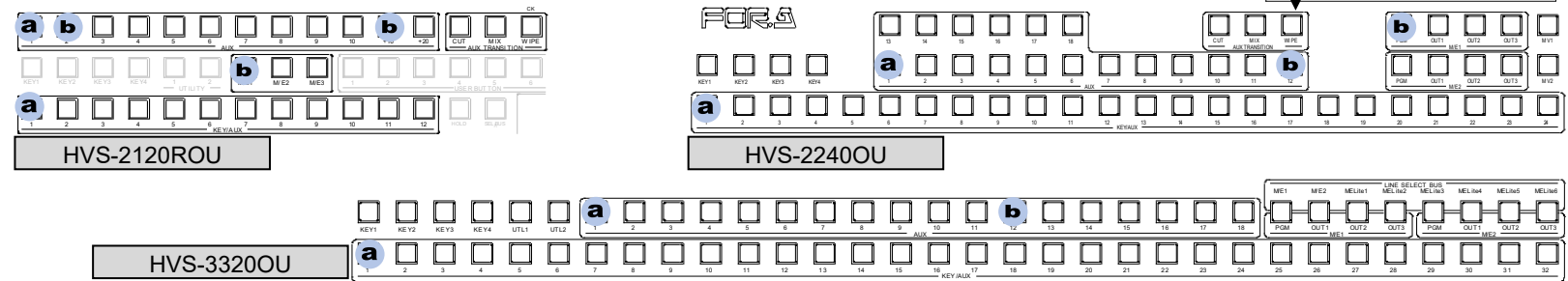
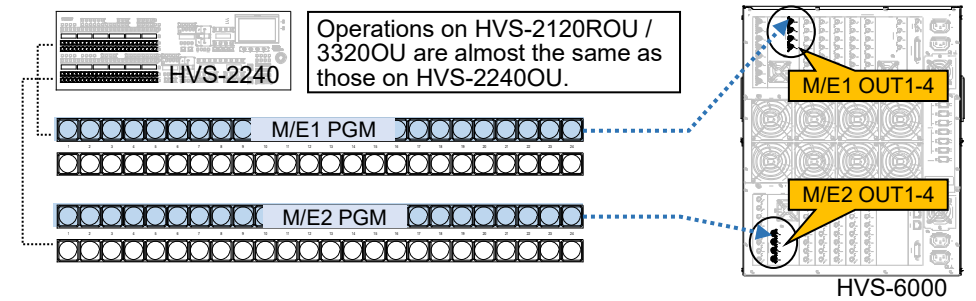
Press a bus button on the M/E1PGM row. The corresponding video will appear on M/E1 OUT1.

#### Select an M/E2PGM Video

Press a bus button on the M/E2PGM row. The corresponding video will appear on M/E2 OUT1.

#### Select an AUX Video

- To output INPUT1 from AUX1, press **AUX1**, then **1** as shown below.
- To output the M/E1 program video from AUX12: Press **AUX12**, then **M/E1PGM** as shown below. (HVS-2240OU) While holding down **AUX+10**, press **AUX2** twice quickly to display the menu, press **M/E1**. (HVS-2120ROU) Press **AUX12** twice quickly to display the menu, then turn **F2** to select M/E1OUT1. (HVS-3320OU)

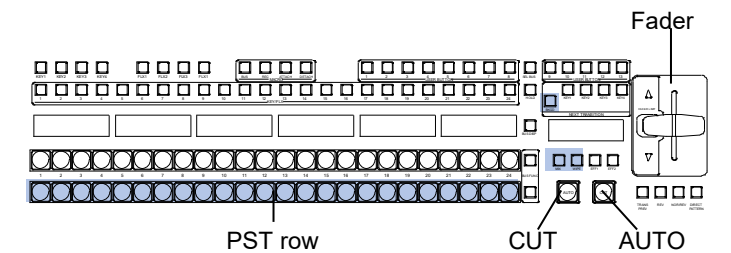


### 5. Background Transitions

- Select the next video on the PST bus.
- Press **CUT** to perform **Cut** transitions (with **BKGD** lit). Press **MIX** then **AUTO** to perform **Mix** transitions. Press **WIPE** then **AUTO** to perform **Pattern** transitions. Faders can be used instead of **AUTO**.

\* To select another transition pattern, press **WIPE** twice quickly to display the menu and turn **F3** to select a pattern.

\* After transitions, the background video will be replaced with a new one. As soon as the images are switched, the PGM and PST bus signals on the control panel are also switched with each other.

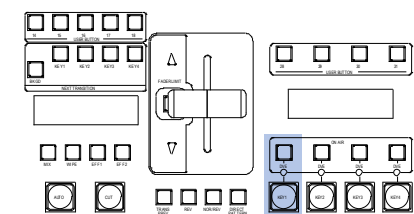


### 6. Key Transitions

The following procedure example shows how to display a logo using KEY1. Assume that the fill and key signals are respectively input IN11 and IN12.

- Select **M/E1,2 DSK** at top-left, then **M/E2 KEY1** to display the [M/E1,2 DSK > M/E2 > KEY1 > SRC/INS] menu.
- Turn **F1** to change **TYPE** to **BUS**
- Turn **F3** to select **IN11**. Turn **F4** to select **IN12**.
- Press **KEY1 ON AIR** to cut in KEY1 into the PGM image. (The **KEY1 ON AIR** button lights up while KEY1 is displayed.)
- Press **KEY1 AUTO** to fade out KEY1 from the PGM image.

\* KEY1-4 transitions can also be performed in the BKGD transition block.



You can download manuals and other documents by registering your email address.

<https://www.for-a.com/>



# HVS-6000/6000M

## 3355OU/OUA Quick Setup Guide

### MU Bundled Items

- AC power cable
- Rack mount brackets (Installed)
- USB flash drive (User manual)
- Quick Setup Guide (This guide)

### HVS-3355OU/OUA

#### <OU component units>

- Control Unit
- Touch Panel Unit
- AUX BUS Unit
- LINE Unit

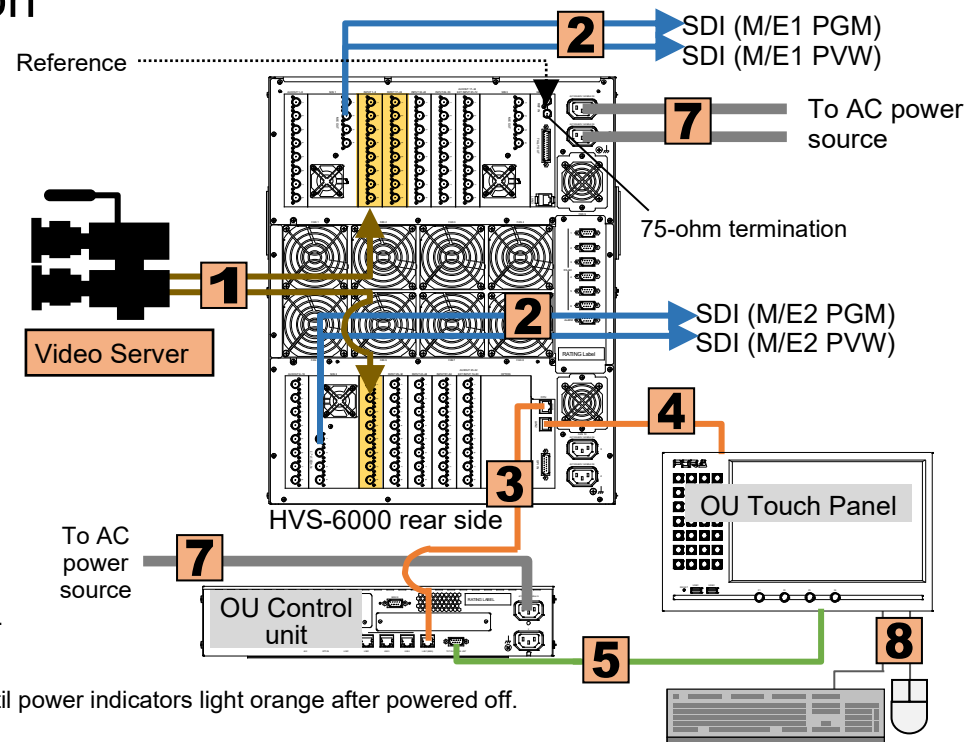
#### <Other items>

- LAN cable
- RS-422 cable
- AC power cable
- DC Canon cable
- Rack mount brackets



## 1. Switcher Connection

- Connect SDI video signal inputs.
- Connect combined SDI video signal outputs. (PGM / PVW) on the HVS-6000/6000M(MU).
- Use a supplied LAN cable to connect MU LAN1 (MAIN) to LAN1(MAIN) on the OU Control unit.
- Use a supplied LAN cable to connect MU LAN2 (SUB) to LAN2(SUB) on the OU Touch Panel.
- Use the supplied RS-422 cable to connect the OU Control unit and OU Touch Panel. (See Section 2 below for details.)
- Connect the OU AUX BUS unit and LINE units to the OU Control units. (See Section 2 below for details.)
- Supply AC power to the MU and OU Control unit using the supplied AC cables.
- Connect the mouse and keyboard to the OU Touch Panel, as necessary.
- Turn on the OU Touch Panel power switch. Turn on the OU Control Unit power switch(es). Turn on the MU power switch(es).



\* To unplug power cables from the MU, wait until power indicators light orange after powered off.

## 2. Setup

- Press the **SYSTEM** menu button. Tap the **SYSTEM** tab on the screen to display the [SETUP > SYSTEM > FORMAT] menu.
- Tap the **FORMAT** field. Turn **F1** to select the signal format for use, then press **F1**.
- Tap **REBOOT**. Tap **YES** in the confirmation dialog to reboot the system. After a restart, the new format is applied.

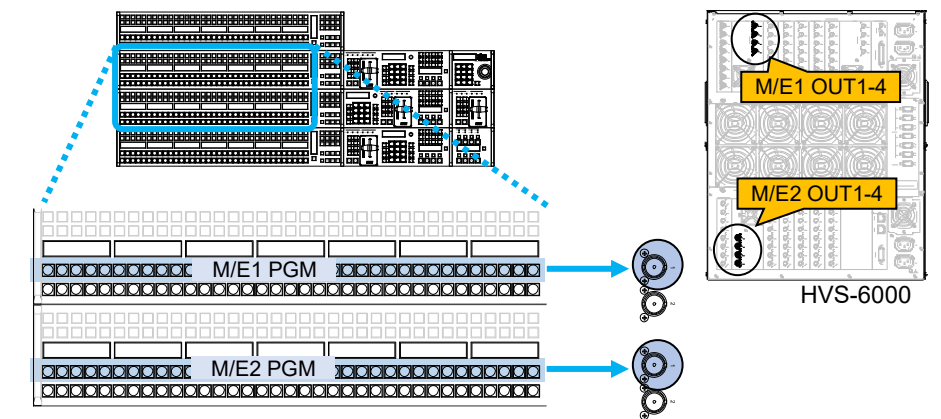
## 3. Video Output

### Select an M/E1PGM Video

Press a bus button on the M/E1PGM row. The corresponding video will appear on M/E1 OUT1.

### Select an M/E2PGM Video

Press a bus button on the M/E2PGM row. The corresponding video will appear on M/E2 OUT1.



## 2. Connecting OU Component Units

### LAN Connection

Use the supplied LAN cables to connect the AUX BUS and LINE units to the Control Unit respectively. LINE 1, LINE 2 and LINE 3 are determined by the connection ports on the Control Unit.

### RS-422 Connection

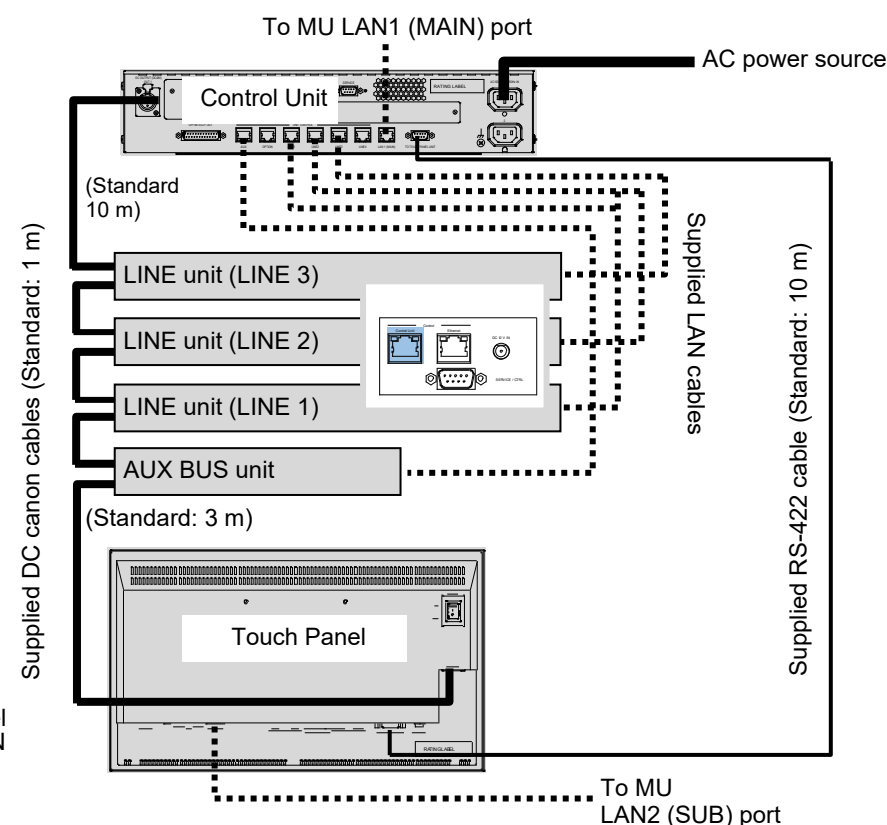
Use the supplied RS-422 cable to connect the Control Unit and the Touch Panel Unit. Plug the cable to the TO TOUCH PANEL UNIT port on the Control unit and the TO CONTROL UNIT port on the Touch Panel.

### Power Connection

Use the supplied DC canon cables to connect the Control Unit and other units in a daisy chain. The last LINE Unit (LINE2 or 3) must be directly connected to the Control Unit and the Touch Panel Unit must be the last device on the chain.

Do NOT plug or unplug power cords while the power is on.

※ If using dedicated AC adapters, power can be directly supplied to the AUX Unit, LINE Units and Touch Panel. In such cases, connect DC power cords to DC 12 V IN terminals.

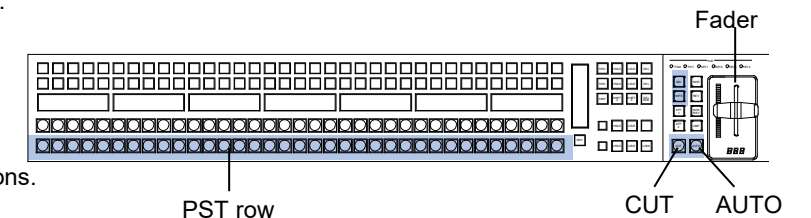


## 4. Background Transitions

To perform M/E background transitions, proceed as follows:

- Select the next video on the PST bus.
- Press **CUT** to perform **Cut** transitions. Press **MIX** and **AUTO** to perform **Mix** transitions. Press **WIPE** and **AUTO** to perform **Pattern** transitions. Also move the fader from end to end to perform transitions.

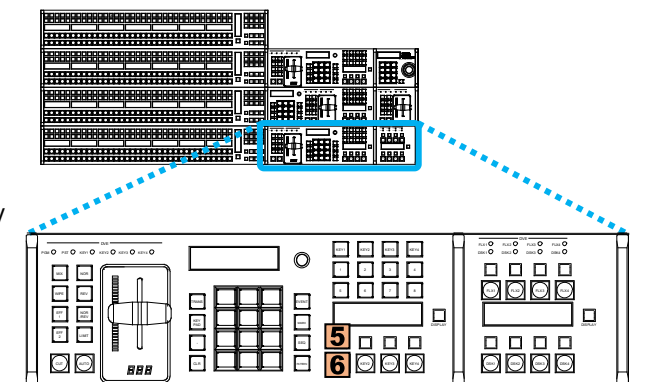
- \* To select another pattern, press **WIPE** twice quickly to display the corresponding menu. And turn **F3** to select a pattern.
- \* Performing transitions replace the background video with the next one and switch the PGM and PST bus signal selections.



## 5. Key Transitions

As an example, follow the procedure below to insert a logo using M/E2 KEY1. Assume that IN11 and IN12 accept logo fill and key signals respectively.

- Press menu tabs in the following order on the menu screen to display the [FUNCTION > KEYS DSK > SRC/INS > M/E2] menu.
- Turn **F1** to select **BUS** for **TYPE**.
- Turn **F2** to select **IN11** for **INSERT SIGNAL** (fill).
- Turn **F1** to select **IN12** for **SOURCE SIGNAL** (key).
- Press **KEY1 ON AIR** to cut in the logo on the PGM image. (**KEY1 ON AIR** lights during the logo is displayed.)
- Press **KEY1 AUTO** to fade out the logo from the PGM image.



You can download manuals and other documents by registering your email address.

<https://www.for-a.com/>

