

CONNECTOR INFORMATION

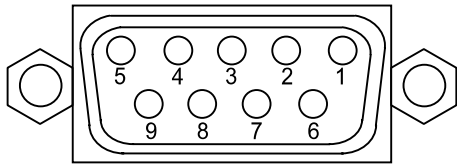
VPS-700 MU

Video Production System

(3rd Edition, 2008/03/06)

1-1. Interfaces

◆ EDITOR Connector



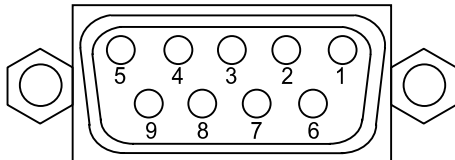
Pin Assignment Table (9-pin D-sub female)

Pin No.	Signal Name	Description
1	FG	Frame ground
2	T-	Transmit data (-)
3	R+	Receive data (+)
4	SG	Signal ground
5	-	Not used
6	SG	Signal ground
7	T+	Transmit data (+)
8	R-	Receive data (-)
9	FG	Frame ground

Cable Connectors

9-pin D-sub connector (male) with inch security lock screws needed for user cable fabrication.

◆ RS-422 (1) (2) Connector



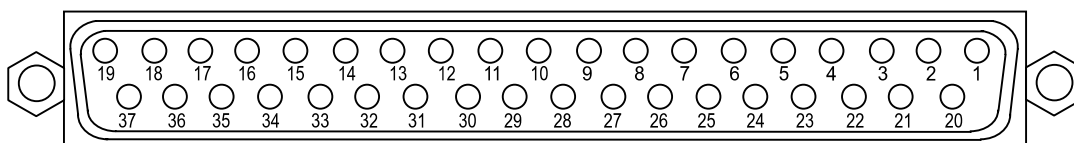
Pin Assignment Table (9-pin D-sub female)

Pin No.	Signal Name	Description
1	FG	Frame ground
2	R-	Receive data (-)
3	T+	Transmit data (+)
4	SG	Signal ground
5	-	Not used
6	SG	Signal ground
7	R+	Receive data (+)
8	T-	Transmit data (-)
9	FG	Frame ground

Cable Connectors

9-pin D-sub connector (male) with inch security lock screws needed for user cable fabrication.

◆ **REMOTE Connector**



Pin Assignment Table (37-pin D-sub, female)

Pin No.	Pin Function	Default Assignment
1	Tally Output 1	RedTallyInput01
2	Tally Output 2	RedTallyInput02
3	Tally Output 3	RedTallyInput03
4	Tally Output 4	RedTallyInput04
5	Tally Output 5	RedTallyInput05
6	Tally Output 6	RedTallyInput06
7	Tally Output 7	RedTallyInput07
8	Tally Output 8	RedTallyInput08
9	Tally Output 9	GreenTallyInput01
10	Tally Output 10	GreenTallyInput02
11	Tally Output 11	GreenTallyInput03
12	Tally Output 12	GreenTallyInput04
13	Tally Output 13	GreenTallyInput05
14	Tally Output 14	GreenTallyInput06
15	Tally Output 15	GreenTallyInput07
16	Tally Output 16	GreenTallyInput08
17	+5V	
18	+5V	
19	+5V	
20	Tally Output 17	None
21	Tally Output 18	None
22	Tally Output 19	None
23	Tally Output 20	None
24	Tally Output 21	None
25	Tally Output 22	None
26	Tally Output 23	None
27	Tally Output 24	None
28-29	GND	
30	GPI 1	PGMAutoTrans
31	GPI 2	PGMCutTrans
32	GPI 3	DSKAutoTrans<Mix>
33	GPI 4	DSKCutTrans
34	GPI 5	PGMMixType
35	GPI 6	PGMWipeType
36	GPI 7	PGMDVEType
37	GPI 8	BlackTrans

Cabling

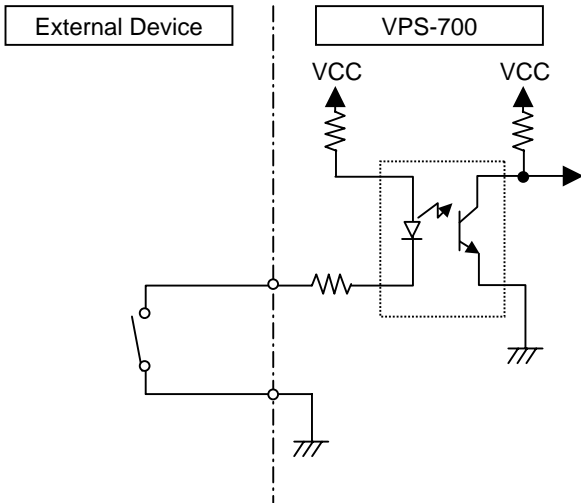
37-pin D-sub connector (male) with inch security lock screws needed for user cable fabrication. Max. contact load of 0.1A DC.

Pin Free Assign

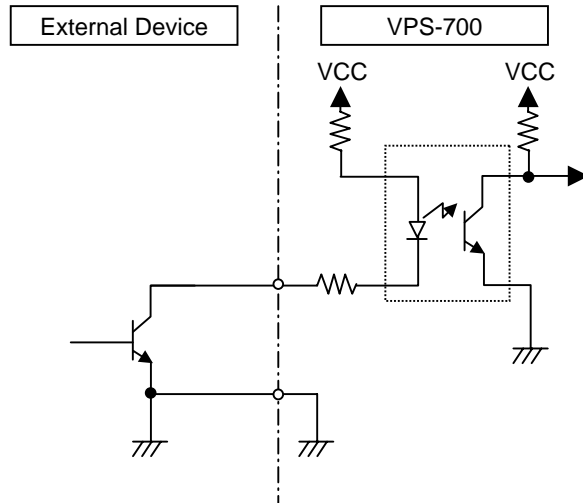
Pin signal assignments shown in the previous page are factory default settings. These can be user changed in operational menus.

GPI Input Circuit

Switch or Relay



Open corrector



Tally Output Circuit

