

# SETUP GUIDE

---

## LTS-10GR

10 GbE (RJ45) Option for LTS

---

## LTS-10GS

10 GbE (SFP+) Option for LTS

---

2<sup>nd</sup> Edition - Rev.1

# Table of Contents

---

- 1. Prior to Starting.....3
  - 1-1. Overview .....3
  - 1-2. Features .....3
  - 1-3. Items to be prepared by the User .....3
- 2. Network Settings .....4
  - 2-1. Setup Connections.....4
  - 2-2. Log in.....4
  - 2-3. Setup .....5
- 3. Connection .....6
  - 3-1. If LTS-10GR Installed.....6
  - 3-2. If LTS-10GS Installed.....6

# 1. Prior to Starting

---

## 1-1. Overview

---

A high-speed interface between an external operating unit and LTO tape is now available by installing a 10-Gigabit Ethernet option, LTS-10GR or LTS-10GS, in an LTS-70/80.

## 1-2. Features

---

- Maximum 300MB/s data transfer is available when an LTO-7/8 tape is loaded in an LTO-7/8 drive.  
Maximum 160MB/s for LTO-6 tapes and maximum 140MB/s for LTO-5 tapes.
  - \* Transfer speed varies in accordance with LTO tape condition, network connected storage, and/or network conditions. Transfer speed also varies in accordance with the applied LAN cable type.
- LTS-10GR is compliant with 10GBASE-T Ethernet (IEEE802.3an, RJ-45).
- LTS-10GS is compliant with 10GBASE-SR Ethernet (IEEE802.3ae, MMF, SFP+) and 10GBASE-LR Ethernet (IEEE802.3ae, SMF, SFP+).

## 1-3. Items to be prepared by the User

---

Items included in each product

ITEM	QTY	REMARKS
LTS-10GR	1	Installed on the LTS-70/80
Setup Guide (PDF)	1	This guide (Included on the LTS-70/80 Manual CD-ROM)

ITEM	QTY	REMARKS
LTS-10GS	1	Installed on the LTS-70/80
Setup Guide (PDF)	1	This guide (Included on the LTS-70/80 Manual CD-ROM)
SFP+ optical transceiver	1	10GBASE-SR SFP+ optical transceiver

Please prepare the following items:

- ◆ **For setting an IP address of the optional LAN port**
  - Display monitor (with a VGA port)
  - VGA cable
  - USB keyboard and USB mouse
- ◆ **For LTS-10GR**
  - LAN cable for 10GBASE-T Ethernet (CAT 6a or CAT 7)
    - \* CAT 7 (Category 7) cable is recommended.
- ◆ **For LTS-10GS**
  - 10GBASE-SR SFP+ optical transceiver (multi-mode)
  - Optical fiber cable for 10GBASE-SR
  - Or
  - 10GBASE-LR SFP+ optical transceiver (single-mode)
  - Optical fiber cable for 10GBASE-LR

## 2. Network Settings

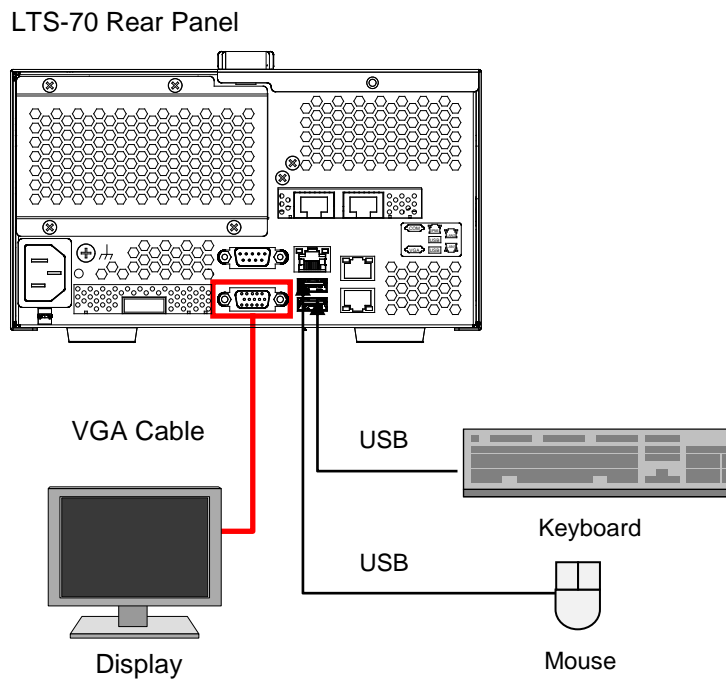
---

Set up an IP address that suits your operating environment for using an LTS-10GR/10GS. This manual explains operations using LTS-10GR/10GS (installed on LTS-70) as an example.

### 2-1. Setup Connections

---

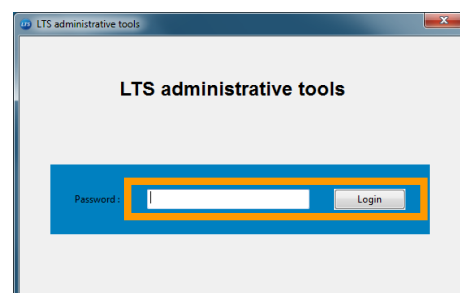
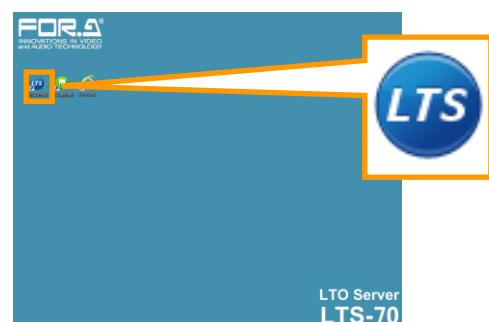
1. Connect the VGA port on your LTS rear panel and the display's VGA port.
2. Connect a USB keyboard and mouse to the USB ports on the rear of the LTS unit.



### 2-2. Log in

---

1. Push the LTS-70/80 POWER button.
2. The Power LED lights green. A screen as shown on the right appears on the display. Doubleclick the lefthand icon to activate LTSAdTool.
3. When a pop-up menu as shown at right appears, input the password "admin" and click Login button.



## 2-3. Setup

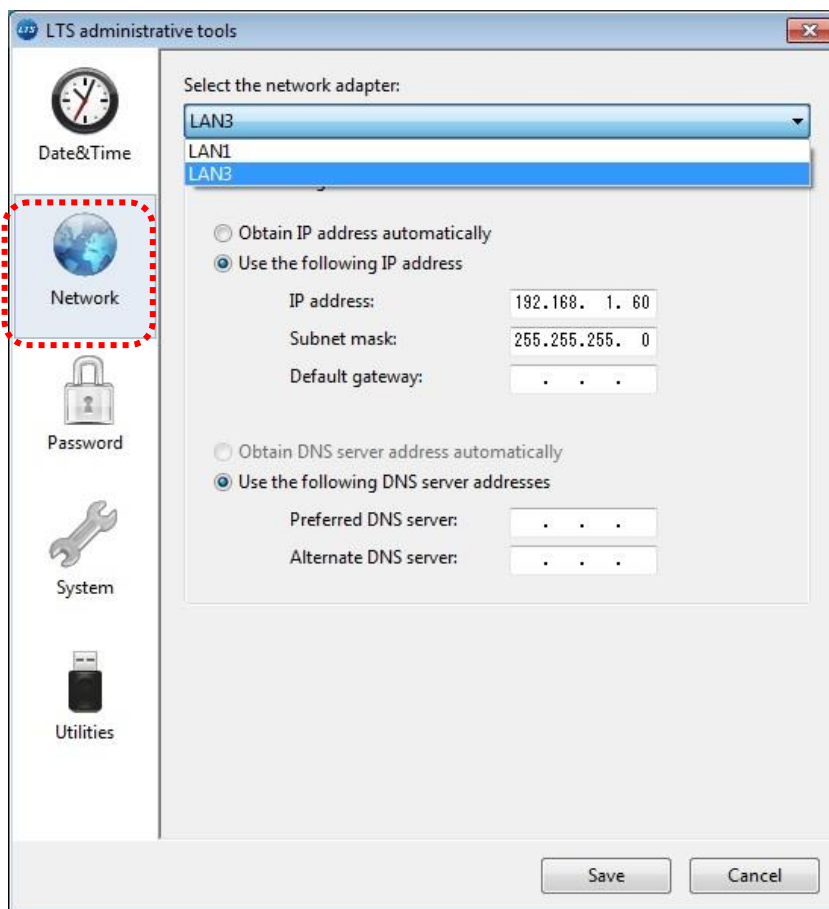
---

1. After logging in, the screen as shown below opens.
2. Select **Network** from the left pane and change the network settings by selecting and inputting details on the right.
3. Select **LAN3** in the **Select the network adapter:** and change the network settings to match the system.

Factory settings are shown as follows.

- IP address: 192.168.1.60
- Subnet mask: 255.255.255.0
- Default gateway: No settings
- DNS server: No settings

\* Selecting LAN1 opens a setting screen for the 1GbE port that is installed as standard in the LTS.



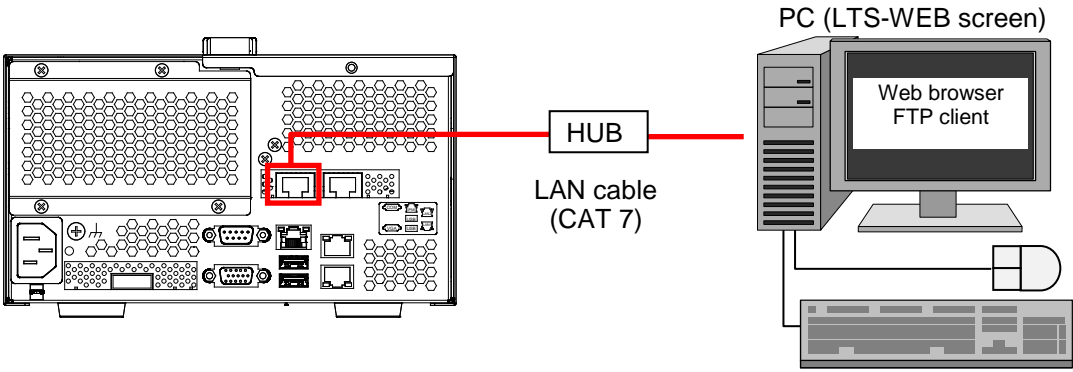
4. After inputting the above settings, click **Save** in the lower right corner. A confirmation dialog box appears, so click **Yes** to shut down the LTS.
5. Press the power button on the front panel to reboot.

# 3. Connection

Use **LAN3** (left port) on the LTS for the LAN connection. Do **not** connect to LAN4 (right port). **LAN1 (standard 1GbE)** interface is available even if an LTS-10GR/10GS is installed. However, LAN1 and LAN3 cannot be used simultaneously.

## 3-1. If LTS-10GR Installed

Connect the LAN cable to LAN3 (10GBASE-T) on the LTS rear panel and to a LAN port on the PC.



## 3-2. If LTS-10GS Installed

Connect the fiber-optic cable to LAN3 (10GBASE-R) on the LTS rear panel and to a LAN port on the PC.

