

Digital Audio Distribution Amplifier

UFM-14DADA/18DADA

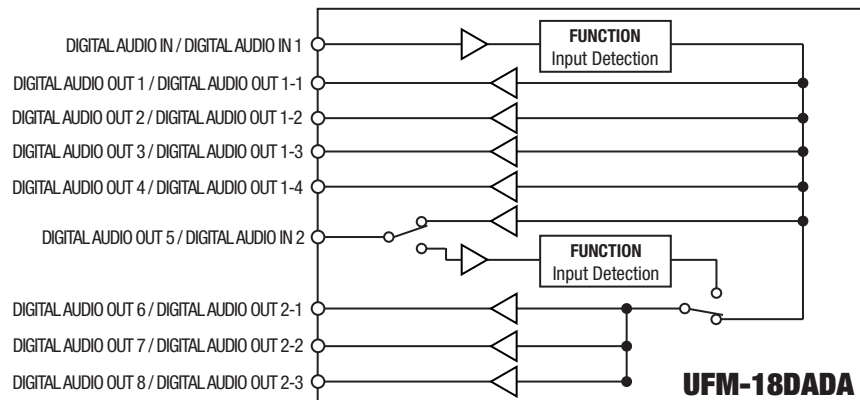
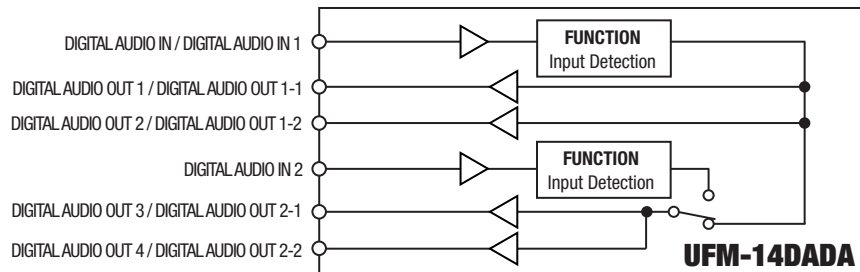


These digital audio distributor modules can be installed in a UFM frame. The UFM-14DADA can distribute one AES/EBU signal input into four outputs or two inputs into two outputs whereas the UFM-18DADA can distribute one AES/EBU signal input into eight outputs or two inputs into three (four) outputs.

Features

- UFM-14DADA: Audio distributor for distributing one AES/EBU signal input into four outputs or two inputs into two outputs.
- UFM-18DADA: Audio distributor for distributing one AES/EBU signal input into eight outputs or two inputs into three (four) outputs.

Block Diagram



**Audio
Distribution
Amplifier**

**Digital
Audio**

**UFM-14DADA
1in / 4out
or
1in / 2out x2**

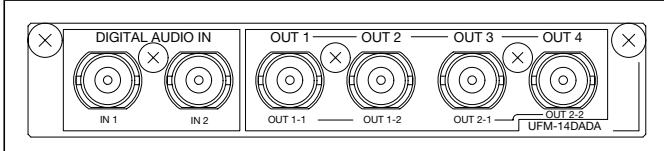
**UFM-18DADA
1in / 8out
or
1in / 3out x2**

**Input
Detection**

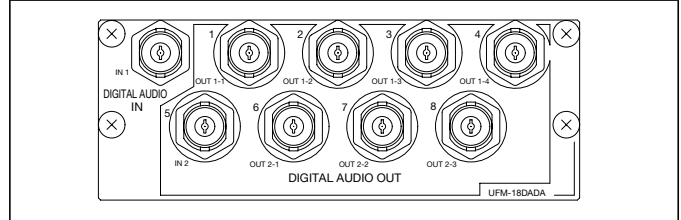
UFM-14DADA / 18DADA Specifications

	UFM-14DADA	UFM-18DADA
● Audio Input	AES/EBU: 1.0Vp-p, 75Ω, unbalanced, 1ea. or 2ea., BNC	
● Audio Output	AES/EBU: 1.0Vp-p, ±10%, 75Ω, unbalanced 4ea. or 2ea., BNC	
● Sampling Frequency	32kHz - 96kHz	
● Temperature / Humidity	10°C - 40°C / 30% - 90% (no condensation)	
● Power / Consumption	+12VDC - +24VDC / Approx. 2VA	
● Draw	+12VDC: 150mA, +24VDC: 80mA	+12VDC: 160mA, +24VDC: 80mA
● Dimensions	106 (W) x 303 (D) mm (Front board), 108.5 (W) x 20 (H) x 66.1 (D) mm (Rear board)	106 (W) x 303 (D) mm (Front board), 108.5 (W) x 40.6 (H) x 66.1 (D) mm (Rear board)
● Weight	Approx. 0.5kg	
● Require Slot	1 slot	2 slot
● Accessories	Operation manual	

UFM-14DADA Rear View



UFM-18DADA Rear View



Universal Frame Line-up

UF-106A



Universal frame that can install up to 6 UFM modules, provides redundancy and universality, and contributes to reduced system space

UF-112



Universal frame that can install up to 12 UFM modules, provides redundancy and universality, and supports remote monitoring with installation of control board

FOR-A COMPANY LIMITED

Head Office : 3-8-1 Ebisu, Shibuya-ku, Tokyo 150-0013, Japan

FOR-A America Corporate Office : 11125 Knott Ave., Suite #A, Cypress, CA 90630, U.S.A.

FOR-A America East Coast Office : 1065 Avenue of the Americas Suite #1701A New York, NY 10018, U.S.A.

FOR-A America Distribution & Service Center : 2400 N.E. Waldo Road, Gainesville, FL 32609, U.S.A.

FOR-A Corporation of Canada : 425 Queen St. W. #211, Toronto, Ontario M5V 2A5, CANADA

FOR-A UK Limited : UNIT C71, Barwell Business Park, Leatherhead Road, Chessington Surrey, KT9 2NY, U.K.

FOR-A Italia S.r.l. : Viale Europa 50 20093, Cologno Monzese (MI), Milan, ITALY

FOR-A Corporation of Korea : 801 Dangsang Bld., 53-1 Dangsang-Dong, Youngdeungpo-Gu, Seoul 150-800, Korea

Homepage: <http://www.for-a.com/>

+81 (0)3-3446-3936 Fax : +81 (0)3-3446-1470

+1 714-894-3311 Fax : +1 714-894-5399

+1 212-861-2758 Fax : +1 212-861-2793

+1 352-371-1505 Fax : +1 352-378-5320

+1 416-977-0343 Fax : +1 416-977-0657

+44 (0)20-8391-7979 Fax : +44 (0)20-8391-7978

+39 02-254-3635/6 Fax : +39 02-254-0477

+82 (0)2-2637-0761 Fax : +82 (0)2-2637-0760



JQA-0M4231



JQA-EM4853