

HD/SD Routing Switcher

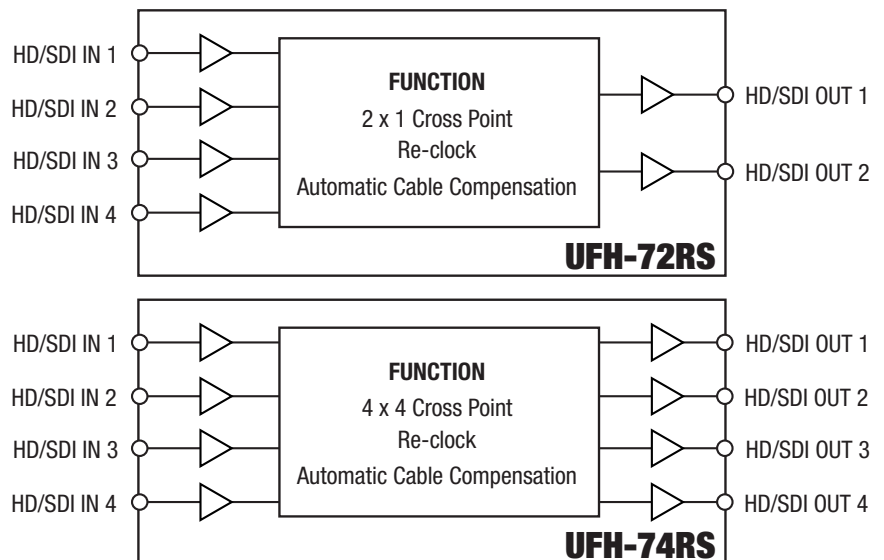
UFH-72RS/74RS

The UFH-72RS/74RS are multi-bitrate routing switcher modules that can be installed in a UFH frame. The lineup consists of two models, one with 4 inputs x 2 outputs and another with 4 inputs x 4 outputs.

Features

- UFH-72RS: HD/SD routing switcher with 4 inputs x 2 outputs
- UFH-74RS: HD/SD routing switcher with 4 inputs x 4 outputs
- Supports data rates of 1.485Gbps (HD)/270Mbps (SD and DVB-ASI)
- Built-in cable compensation function (HD: 100m max., SD: 200m max.)
- Includes re-clock function
- Enables the user to set the switching timing according to the system or format
- Allows crosspoint switching from the front board
- Built-in GPI control and tally output for enabling usage in emergency switching applications

Block Diagram



**Video
Routing
Switcher**

**HD/SDI /
DVB-ASI
4 in**

**HD/SD /
DVB-ASI
2/4 out**

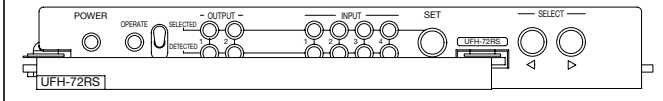
**Cable
Equalizer**

**Re-clock
Function**

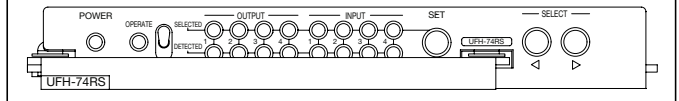
UFM-72RS / 74RS Specifications

	UFH-72RS	UFH-74RS
● Input : Output	4 : 2	4 : 4
● Signal Input	HD-SDI: 1.485Gbps and 1.485/1.001Gbps or SD-SDI: 270Mbps or DVB-ASI: 75Ω, BNC	
● Reference Input	BB: 0.429Vp-p (NTSC)/0.45Vp-p (PAL) or Tri-sync: ±0.3V (Supply from UFH frame)	
● Signal Output	HD-SDI: 1.485Gbps or SD-SDI: 270Mbps or DVB-ASI: 75Ω, BNC (depends on the input signal)	
● Cable Compensation	HD-SDI: 0m - 100m (when 5C-FB cable), SD-SDI: 0m - 200m (when 5C-2V cable)	
● Remote Control	GPIO, RS-232C, RS-422, REMOTE: 2ea., 25-pin D-sub (female)	
● Temperature / Humidity	10°C - 40°C / 30% - 90% (no condensation)	
● Power	+24VDC (supply from UFH frame)	
● Consumption / Draw	Approx. 10W / Approx. 400mA	Approx. 11W / Approx. 460mA
● Dimensions / Weight	138.5 (W) x 400 (D) mm (Front board), 141 (W) x 40 (H) x 101 (D) mm (Rear board) / Approx. 1.0kg	
● Require Slot	2 slot	
● Accessories	Operation manual	

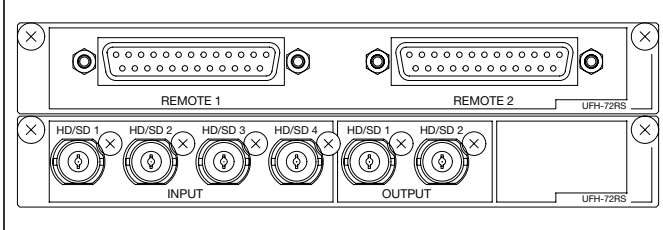
UFH-72RS Front View



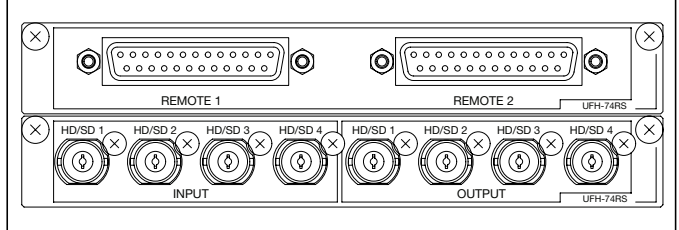
UFH-74RS Front View



UFH-72RS Rear View



UFH-74RS Rear View



Universal Frame Line-up

UF-106A



Universal frame that can install up to 6 UFM modules, provides redundancy and universality, and contributes to reduced system space

UF-112



Universal frame that can install up to 12 UFM modules, provides redundancy and universality, and supports remote monitoring with installation of control board

FOR-A COMPANY LIMITED

Head Office : 3-8-1 Ebisu, Shibuya-ku, Tokyo 150-0013, Japan

FOR-A America Corporate Office : 11125 Knott Ave., Suite #A, Cypress, CA 90630, U.S.A.

FOR-A America East Coast Office : 1065 Avenue of the Americas Suite #1701A New York, NY 10018, U.S.A.

FOR-A America Distribution & Service Center : 2400 N.E. Waldo Road, Gainesville, FL 32609, U.S.A.

FOR-A Corporation of Canada : 425 Queen St. W. #211, Toronto, Ontario M5V 2A5, CANADA

FOR-A UK Limited : UNIT C71, Barwell Business Park, Leatherhead Road, Chessington Surrey, KT9 2NY, U.K.

FOR-A Italia S.r.l. : Viale Europa 50 20093, Cologno Monzese (MI), Milan, ITALY

FOR-A Corporation of Korea : 801 Dansan Bld., 53-1 Dansan-Dong, Youngdeungpo-Gu, Seoul 150-800, Korea

Homepage: <http://www.for-a.com/>

+81 (0)3-3446-3936

+1 714-894-3311

+1 212-861-2758

+1 352-371-1505

+1 416-977-0343

+44 (0)20-8391-7979

+39 02-254-3635/6

+82 (0)2-2637-0761

Fax : +81 (0)3-3446-1470

Fax : +1 714-894-5399

Fax : +1 212-861-2793

Fax : +1 352-378-5320

Fax : +1 416-977-0657

Fax : +44 (0)20-8391-7978

Fax : +39 02-254-0477

Fax : +82 (0)2-2637-0760

