

Analog Video Distribution Amplifier

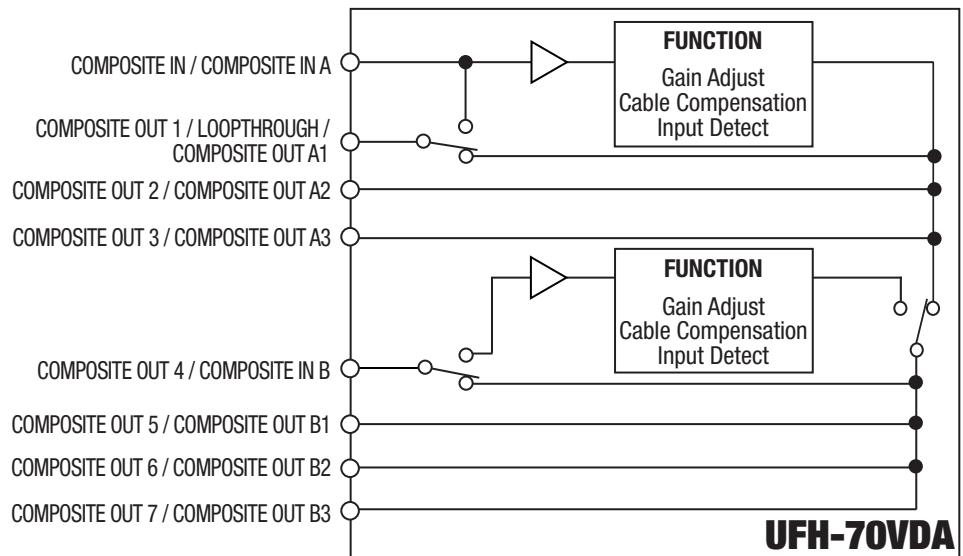
# UFH-70VDA

The UFH-70VDA is module-type analog video distributor that can be installed in the UFH frame. It can distribute one input into six outputs or two systems of two input into three outputs. Gain control and cable compensation functions are also included.

## Features

- Enables setting of 1 input with 6-way distribution or two systems of 2 input with 3-way distribution.
- Gain control and cable compensation setting can be made from the front.
- Enables clamp ON/OFF setting.

## Block Diagram



**Video  
 Distribution  
 Amplifier**

**Analog  
 Video  
 1in / 6out**

**Analog  
 Video  
 1in / 3out x2**

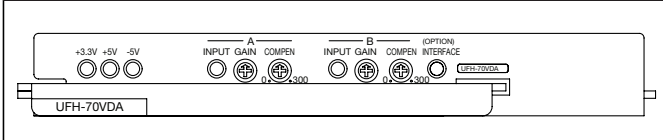
**Gain  
 Control**

**Cable  
 Equalizer**

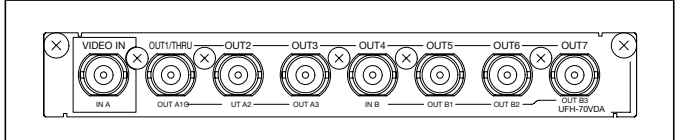
## UFH-70VDA Specifications

● Video Input	Analog composite: 1.0Vp-p, 75Ω or loopthrough, 1ea. or 2ea. (Internal setting), BNC
● Video Output	Analog composite: 1.0Vp-p, 75Ω, 6ea. or 3ea. x2, BNC
● Gain Setting	Approx. -3.0dB - +3.0dB (for input signal)
● Cable Compensation	Max. 200m (When 5C-2V cable)
● Temperature / Humidity	10°C - 40°C / 30% - 90% (no condensation)
● Power / Consumption / Draw	Supply from UFH frame, +24VDC / Approx. 2.2VA (2.2W) / +24VDC: Approx. 0.09A
● Dimensions / Weight	138.5 (W) x 400 (D) mm (Front board), 141 (W) x 101 (D) mm (Rear board) / Approx. 1.0kg
● Require Slot	1 slot
● Accessories	Operation manual

### UFH-70VDA Front View



### UFH-70VDA Rear View



## Distribution Amplifier Module Line-up

**UFH-70ADA** Analog Audio Distribution Amplifier

**UFH-70DDA** Digital Video Distribution Amplifier

**UFH-70DADA** Digital Audio Distribution Amplifier

## UFH Frame Line-up

### UFH-108A



#### Holds up to 8 UFH modules

The UFH-108A frame can hold up to 8 UFH modules. It features support for duplicate power supplies, and has a compact size that is only 2U high. It also supports installation of UFM series modules.

### UFH-112A



#### Holds up to 12 UFH modules

The UFH-112A frame can hold up to 12 UFH modules. It features support for duplicate power supplies, and has a compact size that is only 3U high. It also supports installation of UFM series modules.

## FOR-A COMPANY LIMITED

Head Office : 3-8-1 Ebisu, Shibuya-ku, Tokyo 150-0013, Japan

FOR-A America Corporate Office : 11125 Knott Ave., Suite #A, Cypress, CA 90630, U.S.A.

FOR-A America East Coast Office : 1065 Avenue of the Americas Suite #1701A New York, NY 10018, U.S.A.

FOR-A America Distribution & Service Center : 2400 N.E. Waldo Road, Gainesville, FL 32609, U.S.A.

FOR-A Corporation of Canada : 425 Queen St. W. #211, Toronto, Ontario M5V 2A5, CANADA

FOR-A UK Limited : UNIT C71, Barwell Business Park, Leatherhead Road, Chessington Surrey, KT9 2NY, U.K.

FOR-A Italia S.r.l. : Viale Europa 50 20093, Cologno Monzese (MI), Milan, ITALY

FOR-A Corporation of Korea : 801 Dangsang Bld., 53-1 Dangsang-Dong, Youngdeungpo-Gu, Seoul 150-800, Korea

Homepage: <http://www.for-a.com/>

+81 (0)3-3446-3936 Fax : +81 (0)3-3446-1470

+1 714-894-3311 Fax : +1 714-894-5399

+1 212-861-2758 Fax : +1 212-861-2793

+1 352-371-1505 Fax : +1 352-378-5320

+1 416-977-0343 Fax : +1 416-977-0657

+44 (0)20-8391-7979 Fax : +44 (0)20-8391-7978

+39 02-254-3635/6 Fax : +39 02-254-0477

+82 (0)2-2637-0761 Fax : +82 (0)2-2637-0760

