

HD/SD Digital Video Distribution Amplifier

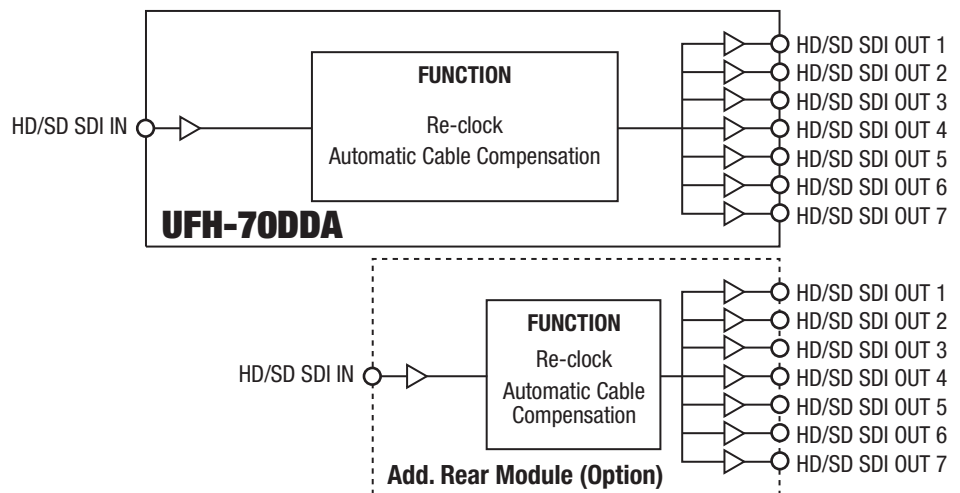
# UFH-70DDA

The UFH-70DDA is a module-type digital video distributor that can be installed in a UFH frame. It supports HD SDI, SD SDI, and DVB-ASI signals and distributes seven input signals. Incorporates an automatic cable compensation function.

## Features

- Video distributor that supports multi-bit rates (HD SDI, SD SDI, DVB-ASI). A single input can be distributed seven ways.
- Automatic cable compensation function for up to SD SDI 200m (using 5C-2V cable) and HD SDI 100m (using 5C-FB cable).
- SD SDI and HD SDI Automatic Re-clock Function.
- Two rear modules can be used as dual single-input 7-way distributor.

## Block Diagram



Video  
Distribution  
Amplifier

HD/SD/  
DVB-ASI  
1 in

HD/SD/  
DVB-ASI  
7 out

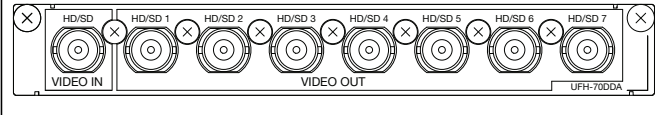
Cable  
Equalizer

Re-clock  
Function

## UFH-70DDA Specifications

● Video Input	SD - HD SDI: 143Mbps - 1.5Gbps or DVB-ASI, 75Ω, 1ea., BNC (Auto detect, Auto reclock at 1.5Gbps)
● Video Output	SD - HD SDI: 143Mbps - 1.5Gbps or DVB-ASI, 75Ω, 7ea., BNC
● Temperature / Humidity	10°C - 40°C / 30% - 90% (no condensation)
● Power / Consumption / Draw	Supply from UFH Frame, +24VDC / Approx. 4.6VA (4.6W) / +24VDC: Approx. 0.2A
● Dimensions / Weight	138.5 (W) x 400 (D) mm (Front board), 141 (W) x 101 (D) mm (Rear board) / Approx. 1.0kg
● Require Slot	1 slot
● Accessories	Operation Manual
● Options	Additional rear module

## UFH-70DDA Rear View



## Distribution Amplifier Module Line-up

**UFH-70VDA** Analog Video Distribution Amplifier

**UFH-70ADA** Analog Audio Distribution Amplifier

**UFH-70DADA** Digital Audio Distribution Amplifier

## UFH Frame Line-up

### UFH-108A



#### Holds up to 8 UFH modules

The UFH-108A frame can hold up to 8 UFH modules. It features support for duplicate power supplies, and has a compact size that is only 2U high. It also supports installation of UFM series modules.

### UFH-112A



#### Holds up to 12 UFH modules

The UFH-112A frame can hold up to 12 UFH modules. It features support for duplicate power supplies, and has a compact size that is only 3U high. It also supports installation of UFM series modules.

## FOR-A COMPANY LIMITED

Head Office : 3-8-1 Ebisu, Shibuya-ku, Tokyo 150-0013, Japan

FOR-A America Corporate Office : 11125 Knott Ave., Suite #A, Cypress, CA 90630, U.S.A.

FOR-A America East Coast Office : 1065 Avenue of the Americas Suite #1701A New York, NY 10018, U.S.A.

FOR-A America Distribution & Service Center : 2400 N.E. Waldo Road, Gainesville, FL 32609, U.S.A.

FOR-A Corporation of Canada : 425 Queen St. W. #211, Toronto, Ontario M5V 2A5, CANADA

FOR-A UK Limited : UNIT C71, Barwell Business Park, Leatherhead Road, Chessington Surrey, KT9 2NY, U.K.

FOR-A Italia S.r.l. : Viale Europa 50 20093, Cologno Monzese (MI), Milan, ITALY

FOR-A Corporation of Korea : 801 Dongsan Bld., 53-1 Dongsan-Dong, Youngdeungpo-Gu, Seoul 150-800, Korea

Homepage: <http://www.for-a.com/>

+81 (0)3-3446-3936 Fax : +81 (0)3-3446-1470

+1 714-894-3311 Fax : +1 714-894-5399

+1 212-861-2758 Fax : +1 212-861-2793

+1 352-371-1505 Fax : +1 352-378-5320

+1 416-977-0343 Fax : +1 416-977-0657

+44 (0)20-8391-7979 Fax : +44 (0)20-8391-7978

+39 02-254-3635/6 Fax : +39 02-254-0477

+82 (0)2-2637-0761 Fax : +82 (0)2-2637-0760

