

# MFR-16SDIGB/16SDOGB

Installation Guide 1<sup>st</sup> Edition

## What is in the Box

- Input card (MFR-16SDIGB)
- Output card (MFR-16SDOGB)
- Binding Screw x 2
- Panel Spacer (Top, Bottom) 1 each
- Installation Guide (This sheet)



## 1. Overview

MFR-16SDIGB is an input expansion card for MFR main units.  
MFR-16SDOGB is an output expansion card for MFR main units.

### ◆ Input/Output Card Installation Slots (MFR-5000)

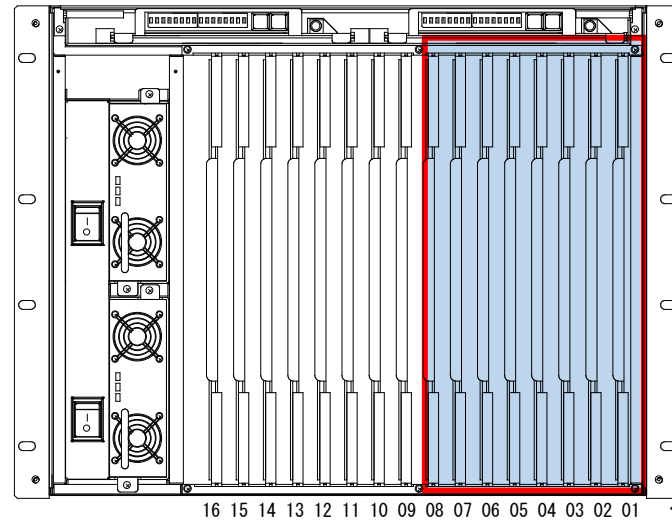
Input/Output Card	Max. Number	Slot
MFR-16SDIGB	-	01 - 08
MFR-16SDOGB	-	09 - 16

### ◆ Input/Output Card Installation Slots (MFR-8000)

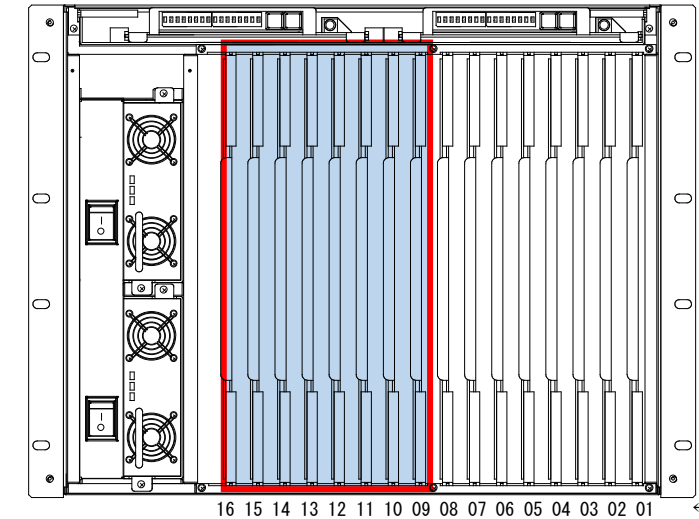
Input/Output Card	Max. Number	Slot
MFR-16SDIGB	-	01 - 08
MFR-16SDOGB	-	09 - 16

## 2. Input/Output Card Installation Slots

### ◆ MFR-5000

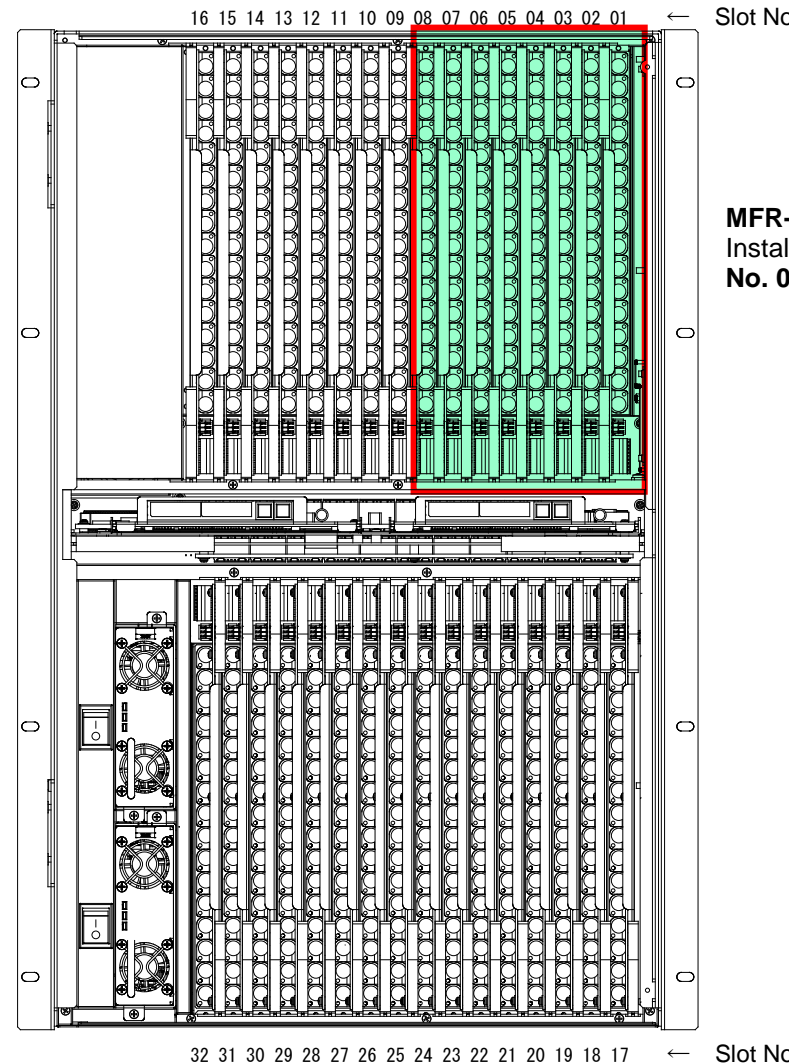


**MFR-16SDIGB**  
Install into slots:  
**No. 01 - 08**

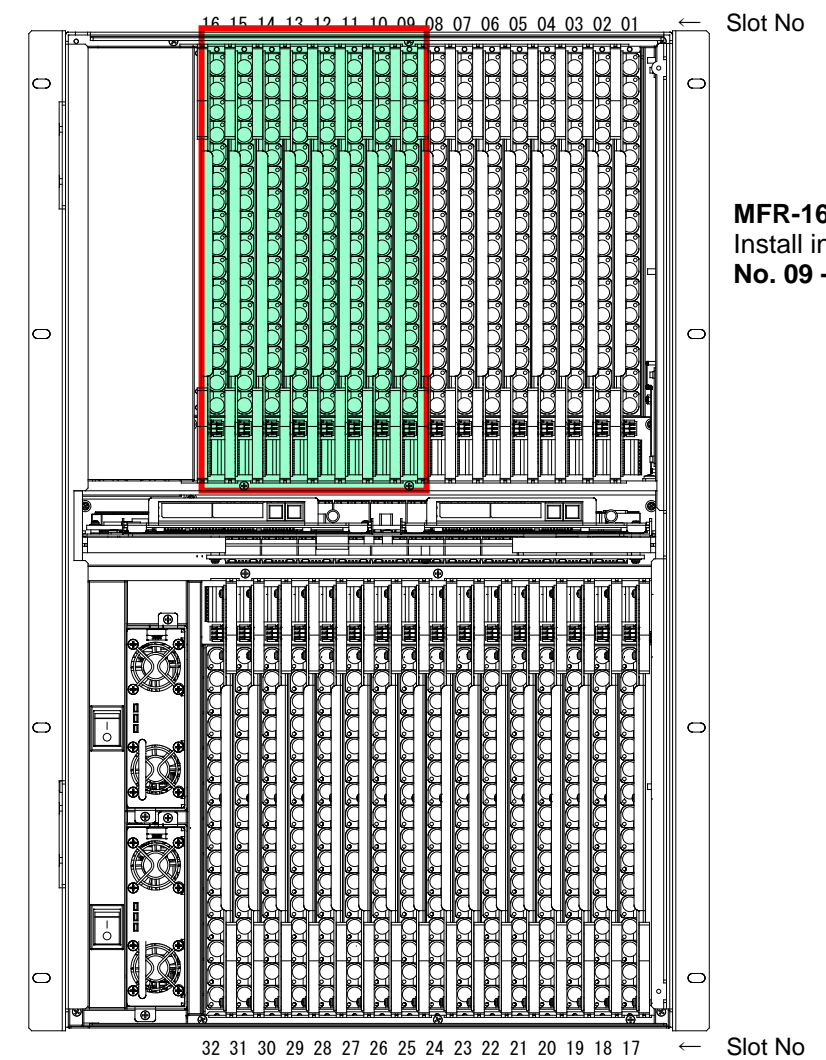


**MFR-16SDOGB**  
Install into slots:  
**No. 09 - 16**

### ◆ MFR-8000



**MFR-16SDIGB**  
Install into slots:  
**No. 01 - 08**



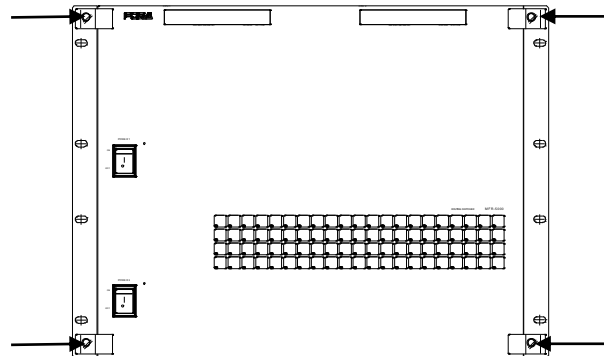
**MFR-16SDOGB**  
Install into slots:  
**No. 09 - 16**

### 3. Installing the Rear Panel and Input/Output Card

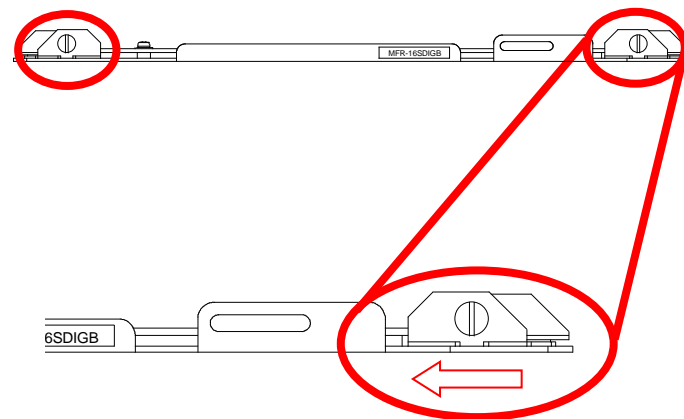
Ex.) Installing an input card into MFR-5000.

If installing into MFR-8000, the card direction is opposite from MFR-5000. (See step (4).)

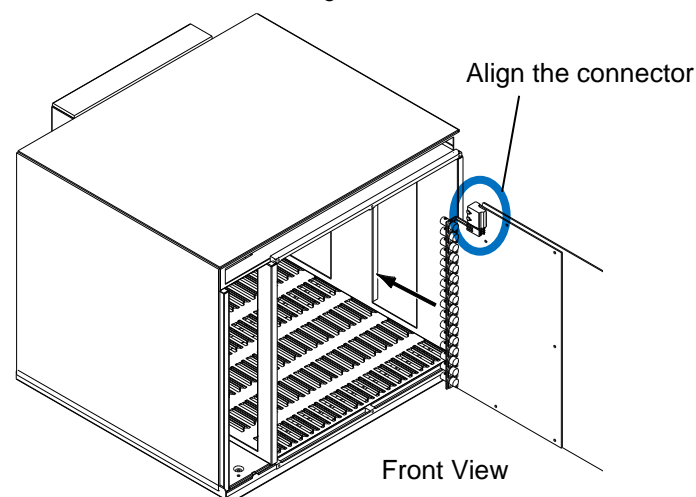
- (1) Turn the MFR-5000 power off and disconnect the power cord.
- (2) Remove the four screws on the front of the MFR-5000 and remove the front panel.



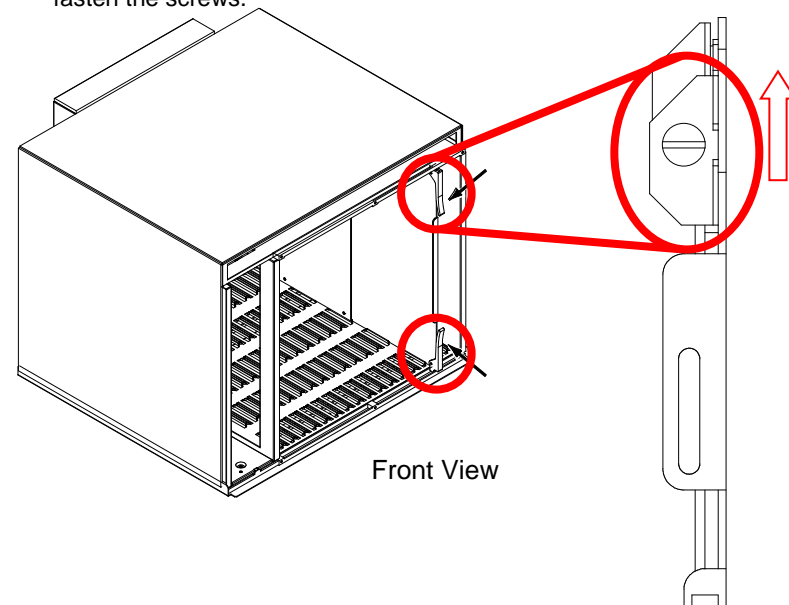
- (3) Loosen screws securing plates on both sides of the card and pull the plates inwards.



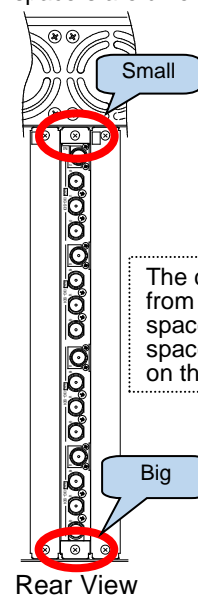
- (4) Slide the input card with the white connector aligned up top into the slot from the front of the MFR-5000. (See below.)  
For the MFR-8000, insert the input/output card upside down into the slot with the white connector aligned down to the bottom.



- (5) Grasp the screws on both ends, pull the securing plates outward and fasten the screws.



- (6) Install the panel spacers on upper and lower part of the rear side using the supplied binding screws. (The sizes of the panel spacers are different for upper and lower ones.)



The card direction of MFR-8000 is opposite from MFR-5000 but install the small panel spacer on upper part of the card and big panel spacer on lower part for both MFRs as shown on the left.

- (7) Install the front panel. Installation is complete.

### Installing the Input / Output card with the MFR-5000/8000 Powered On

To install an input or output card with the MFR-5000 or MFR-8000 powered on, turn the power of the slot on, using the front menu, after installing the card. See "SHUTDOWN" in Section 4-5. "SETTINGS" for details.

### 4. Operational Testing

Confirm that cards are properly installed and set necessary settings using MFR SERIES Web-based Control.

#### ◆ Verifying the Installation

In the MFR SERIES Web-based Control, open the Slot Status screen and verify that the appropriate card name is displayed for the slot (See Section 5-3. "Slot Status" in the MFR SERIES Web-based Control Operation Manual for details).

#### ◆ Settings

To make the card available to use, settings are necessary. Refer to the following section in the MFR SERIES Web-based Control Operation Manual to set settings.

Input / Output Card	Refer To
MFR-16SDIGB	4-1-9. Source Assignment
MFR-16SDOGB	4-1-10. Destination Assignment
MFR-16SDIGB/16SDOGB	5-8. Gearbox Settings

#### Precautions

- Operate the unit only at the specified supply voltage.
- Ensure the unit is properly grounded at all times.
- Ensure the power cord and connectors are firmly connected.
- Do not access circuitry with power applied to the unit.
- Unit should not be operated or stored with the cover, panels, and/or casing removed.
- Unit should not be operated or stored in a humid, dusty, etc. environment. Doing so could result in fire or electrical shock.
- Do not allow fluids, metal fragments, or any other foreign objects to enter the unit. If foreign matter does enter the unit, turn the power off and disconnect the power cord immediately. Remove the material or contact your authorized service representative.
- If you notice any strange smells or noises coming from the unit, turn the power off immediately, disconnect the power cord, then contact your authorized service representative.