

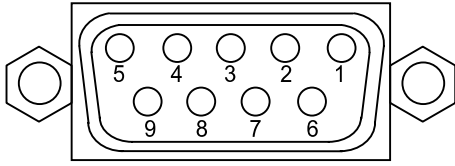
CONNECTOR INFORMATION

HVS-1500HS

Digital Video Switcher

(1st Edition - Made on Feb. 21 2008)

■ ALARM Connector



Pin Assignment Table (9-pin D-sub female)

Pin No.	Signal Name	Description
1	FAN ALARM OUT	Fan failure alarm. Normally open.
2	POWER ALARM OUT	Power supply failure alarm. Normally open.
3	EXT ALARM COMMON	Not used
4	EXT ALARM OUT	Not used
5	RESET IN	External reset input. Active low initiate.
6	FAN ALARM COMMON	Fan alarm common.
7	POWER ALARM COMMON	Power supply alarm common.
8	GND	Common ground
9	GND	Common ground

*Max. contact load of 0.8A DC.

Cable Connectors

9-pin D-sub connector (male) with inch security lock screws needed for user cable fabrication.

Fan alarm

Pins 1, 6 remain OPEN during normal operation. If fan failure occurs at HVS-1500HS side, pins 1, 6 will short and fan alarm signal output occurs.

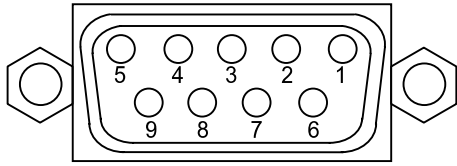
Power supply alarm

Pins 2, 7 remain OPEN during normal operation. If a power supply failure occurs, pins 2, 7 will short and power supply alarm signal output occurs.

External reset

External reset signal input to pin 5, shorts pin 8 to pin 9. MU reset occurs when short initiated.

■ **EDITOR Connector**



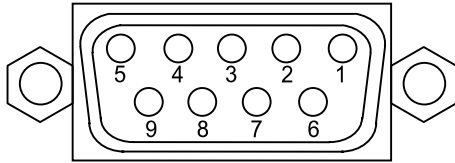
Pin Assignment Table (9-pin D-sub, female)

Pin No.	Signal Name	Description
1	FG	Frame ground
2	T-	Transmit data (-)
3	R+	Receive data (+)
4	SG	Signal ground
5	-	Not used
6	SG	Signal ground
7	T+	Transmit data (+)
8	R-	Receive data (-)
9	FG	Frame ground

Cable Connectors

9-pin D-sub connector (male) with inch security lock screws needed for user cable fabrication.

■ **RS-422 Connector**



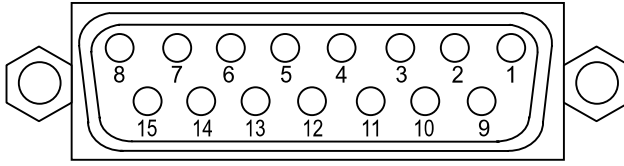
Pin Assignment Table (9-pin D-sub, female)

Pin No.	Signal Name	Description
1	FG	Frame ground
2	R-	Receive data (-)
3	T+	Transmit data (+)
4	SG	Signal ground
5	-	Not used
6	SG	Signal ground
7	R+	Receive data (+)
8	T-	Transmit data (-)
9	FG	Frame ground

Cable Connectors

9-pin D-sub connector (male) with inch security lock screws needed for user cable fabrication.

■ GPI IN Connector



Pin Assignment Table (15-pin D-sub, female)

Pin No.	Description
1	TRANS-TYPE M/E-BKGD-AUTO (default setting)
2	TRANS-TYPE M/E-KEY1-AUTO (default setting)
3	TRANS-TYPE M/E-KEY2-AUTO (default setting)
4	TRANS-TYPE M/E-KEY3-AUTO (default setting)
5	TRANS-TYPE P/P-BKGD-AUTO (default setting)
6	TRANS-TYPE P/P-KEY1-AUTO (default setting)
7	TRANS-TYPE P/P-KEY2-AUTO (default setting)
8	TRANS-TYPE P/P-KEY3-AUTO (default setting)
9	No assignment (default setting)
10	No assignment (default setting)
11	N/C
12	N/C
13	Signal ground
14	Signal ground
15	Signal ground

★ Where “default” in table above denotes factory set default pin assignments.

Cabling

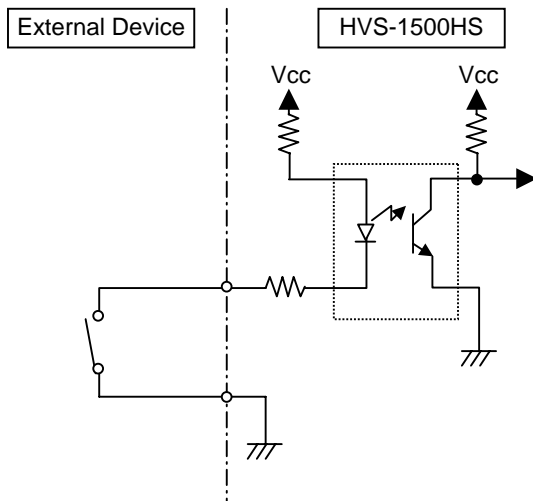
15-pin D-sub connector (male) with inch security lock screws needed for user cable fabrication.

Pin Free Assign

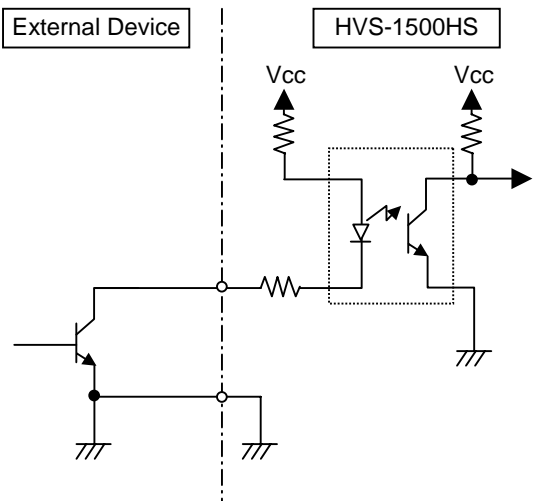
Pin1 to 10 signal assignments shown above are factory default settings. These can be user changed in operational menus. See section 16-1-1. “GPI IN Free Assignments” for more details.” for more details.

Circuit

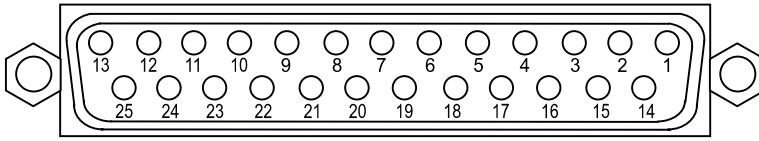
Switch or Relay



Open corrector



■ **GPI/TALLY OUT Connector**



Pin Assignment Table (25-pin D-sub female)

Pin No.	Description
1	M/E-BKGD TRANSITION (default setting)
2	M/E-KEY1 TRANSITION (default setting)
3	M/E-KEY2 TRANSITION (default setting)
4	M/E-KEY3 TRANSITION (default setting)
5	P/P-BKGD TRANSITION (default setting)
6	P/P-KEY1 TRANSITION (default setting)
7	P/P-KEY2 TRANSITION (default setting)
8	P/P-KEY3 TRANSITION (default setting)
9	Not assigned (default setting)
10	Not assigned (default setting)
11	Not assigned (default setting)
12	Not assigned (default setting)
13	Not assigned (default setting)
14	Not assigned (default setting)
15	Not assigned (default setting)
16	Not assigned (default setting)
17	Not assigned (default setting)
18	Not assigned (default setting)
19	Not assigned (default setting)
20	Not assigned (default setting)
21	Frame ground
22	Frame ground
23	Frame ground
24	Frame ground
25	+5V output (MAX 0.5A) (*1)

* Where “default” in table above denotes factory set default pin assignments.

Cabling

25-pin D-sub connector (male) with inch security lock screws needed for user cable fabrication.

(*1) Max. contact load of 0.5A DC.

Pin Free Assign

Pin1 to 20 signal assignments shown above are factory default settings. These can be user changed in operational menus. See section 16-1-2. “GPI OUT Free Assignments” for more details.

Circuit

