

MFR-16DTIO

Installation Guide 1st Edition

What is in the Box
Input/output card (MFR-16DTIO)
Rear panel
Installation Guide (This sheet)



1. Overview

MFR-16DTIO is an RS-422 data router card for MFR main units.

◆ Input/Output Card Installation Slots (MFR-5000)

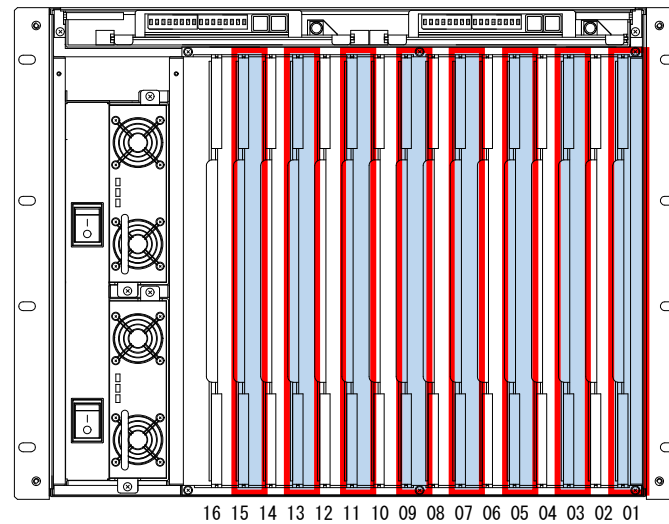
| Input/Output Card | Slot |
|-------------------|--------------------------------|
| MFR-16DITO | 01, 03, 05, 07, 09, 11, 13, 15 |

◆ Input/Output Card Installation Slots (MFR-8000)

| Input/Output Card | Slot |
|-------------------|--|
| MFR-16DITO | 02, 04, 06, 08, 10, 12, 14, 16, 17, 19, 21, 23, 25, 27, 29, 31 |

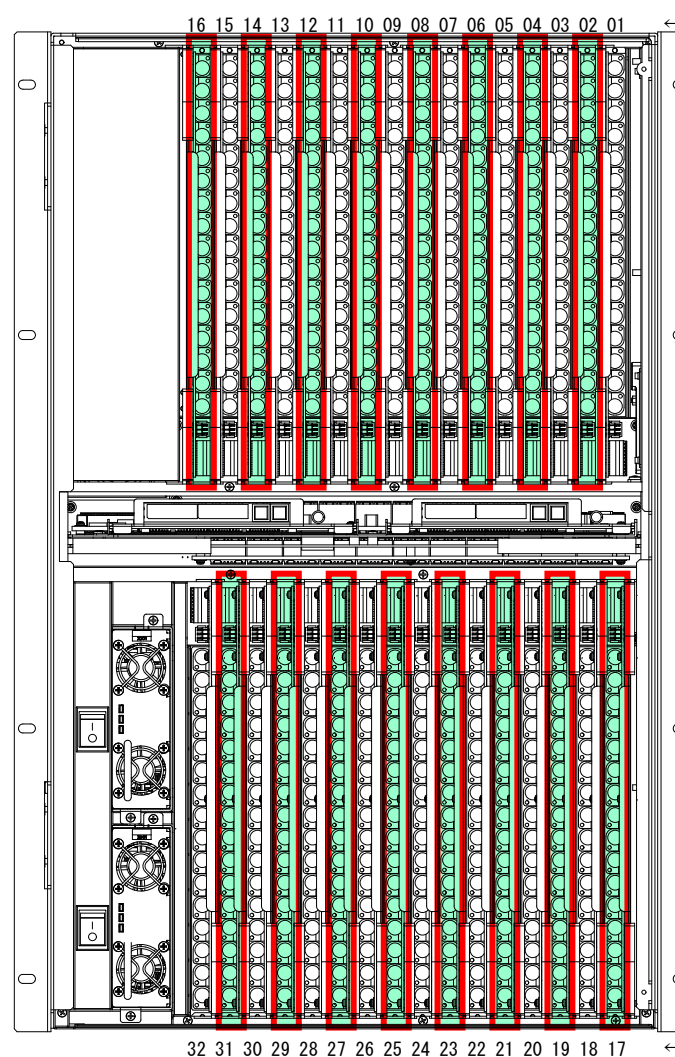
2. Input/Output Card Installation Slots

◆ MFR-5000



Up to 8 cards can be installed into the following slots:
No. 01, 03, 05, 07, 09, 11, 13, 15

◆ MFR-8000

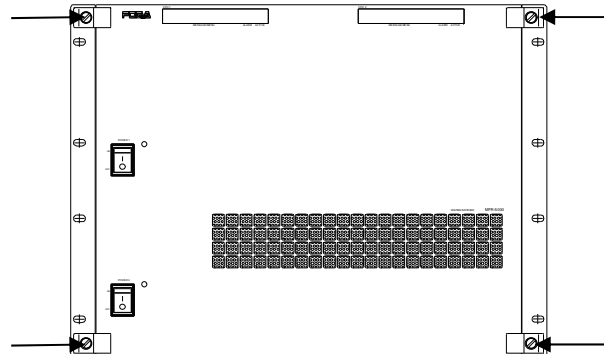


Up to 8 cards can be installed into the following slots:
No. 02, 04, 06, 08, 10, 12, 14, 16, 17, 19, 21, 23, 25, 27, 29, 31

3. Installing the Rear Panel and Input/Output Card

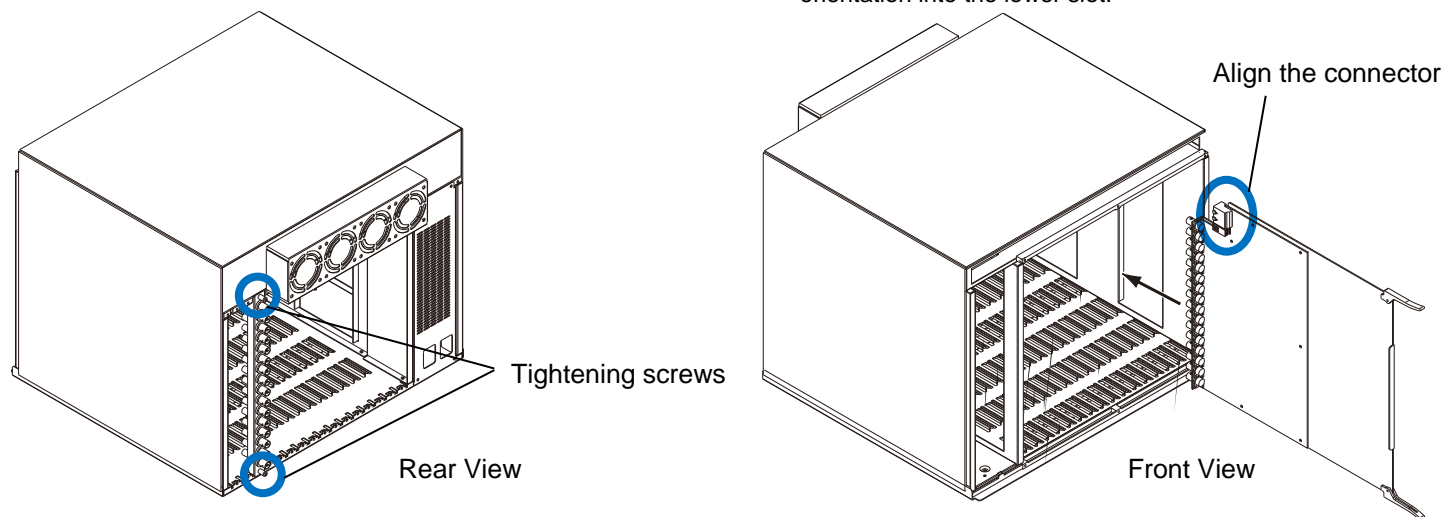
The example below shows how to install the rear panel and input/output card into the MFR-5000. To install the cards into the MFR-8000, proceed in the same manner.

- (1) Turn the MFR-5000 power off and disconnect the power cord.
- (2) Remove the four screws on the front of the MFR-5000 and remove the front panel.



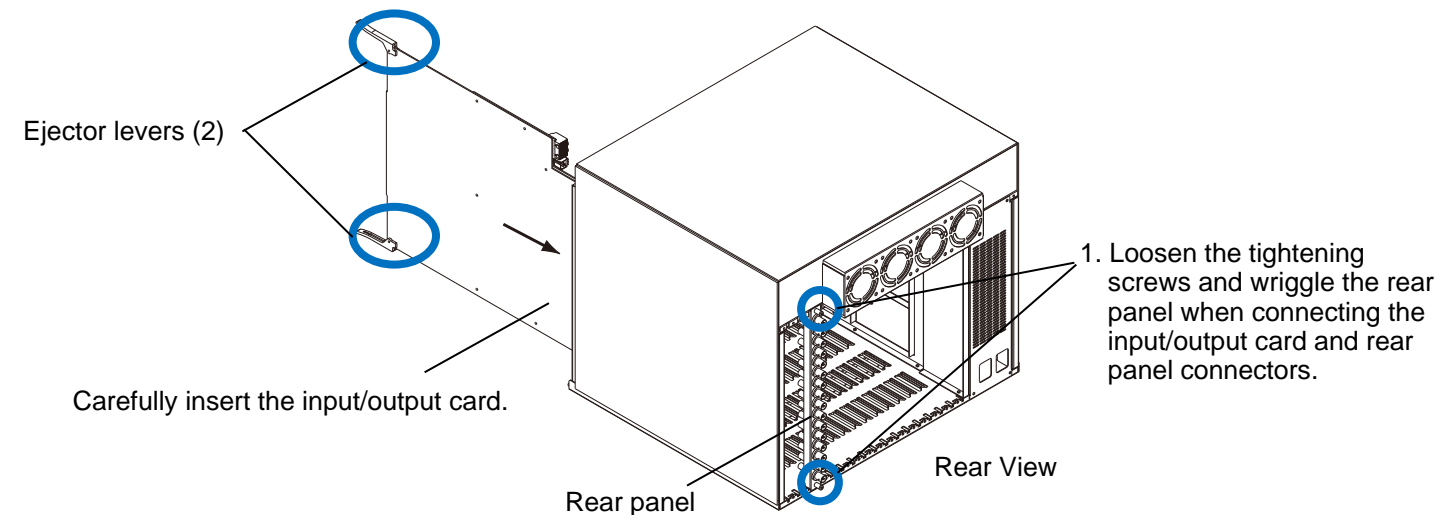
- (3) Fasten screws to secure the rear panel to the rear of the MFR-5000.

- (4) Slide the input/output card with the white connector aligned up top into the slot from the front of the MFR-5000. For the MFR-8000, install the input/output card with the white connector upside down into the upper slot, and in the same orientation into the lower slot.

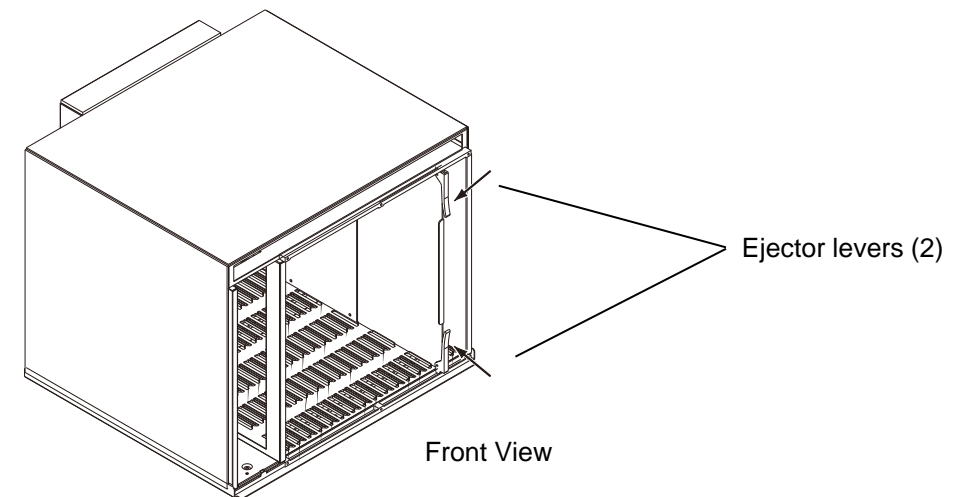


Connection Issues (Rear Panel – Input/Output Card Connectors)

1. Loosen the tightening screws securing the rear panel.
2. Carefully insert the input/output card and wriggle the rear panel as necessary, to ensure the two components properly dock.
3. Fasten the tightening screws to secure the rear panel.



- (5) Close the two ejector levers.



- (6) Install the front panel. Installation is complete.

Installing the Input/Output card with the MFR-5000/8000 Powered On

To install an input or output card with the MFR-5000 or MFR-8000 powered on, turn the power of the slot on, using the front menu, after installing the card. See "SHUTDOWN" in Section 4-5. "SETTINGS" for details.

4. Operational Testing

Confirm that cards are properly installed and set necessary settings using MFR SERIES Web-based Control.

◆ Verifying the Installation

In the MFR SERIES Web-based Control, open the Slot Status screen and verify that card name is displayed for the slot (See Section 5-3. "Slot Status" in the MFR SERIES Web-based Control Operation Manual for details).

◆ Settings

To make the card available to use, settings are necessary. Refer to the following section in the MFR SERIES Web-based Control Operation Manual to set settings.

| Input/Output Card | Refer To |
|-------------------------------------|-----------------------------------|
| MFR-16SDI/16SDIA/16AESI/16ADI/16AAI | 4-1-9. Source Assignment |
| MFR-16SDO/16AESO/16ADAO | 4-1-10. Destination Assignment |
| MFR-16ADI/16AAI/16ADAO | 5-4. Audio Settings |
| MFR-16DTIO | 5-5. RS-422 Settings (MFR-16DTIO) |

Precautions

- Operate the unit **only** at the specified supply voltage.
- **Ensure** the unit is properly grounded at all times.
- **Ensure** the power cord and connectors are firmly connected.
- **Do not** access circuitry with power applied to the unit.
- Unit **should not** be operated or stored with the cover, panels, and/or casing removed.
- Unit **should not** be operated or stored in a humid, dusty, etc. environment. Doing so could result in fire or electrical shock.
- **Do not** allow fluids, metal fragments, or any other foreign objects to enter the unit. If foreign matter does enter the unit, turn the power off and disconnect the power cord immediately. Remove the material or contact your authorized service representative.
- If you notice any strange smells or noises coming from the unit, turn the power off immediately, disconnect the power cord, then contact your authorized service representative.