

12G-SDI/QUAD LINK 3G-SDI CONVERTER **MFC-2GB**

12G-SDI/quad link 3G-SDI conversion over two Gearbox channels,
 and 2SI/SQD conversion

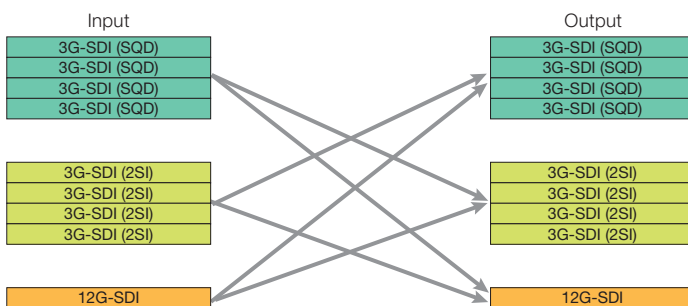


- 9 12G-SDI inputs and 2 outputs
- Automatic Variable Delay Line (AVDL)
- Choose from 1H or 1-frame delay*
- Line Lock feature syncs source signals*
- Ancillary data passthrough*
- Front menu display for maintenance
- Supports RS-422

* Available for signals in the same division method

Gearbox Functionality

Versatile signal conversion



4K conversion (12G-SDI/quad link 3G-SDI, 2SI/SQD)

Converts video signals between 12G-SDI and quad link 3G-SDI, and between 2SI and SQD. Enables ongoing use of older equipment when building a 12G-SDI system.

Applications

Conversion of quad link 3G-SDI camera output to 12G-SDI.

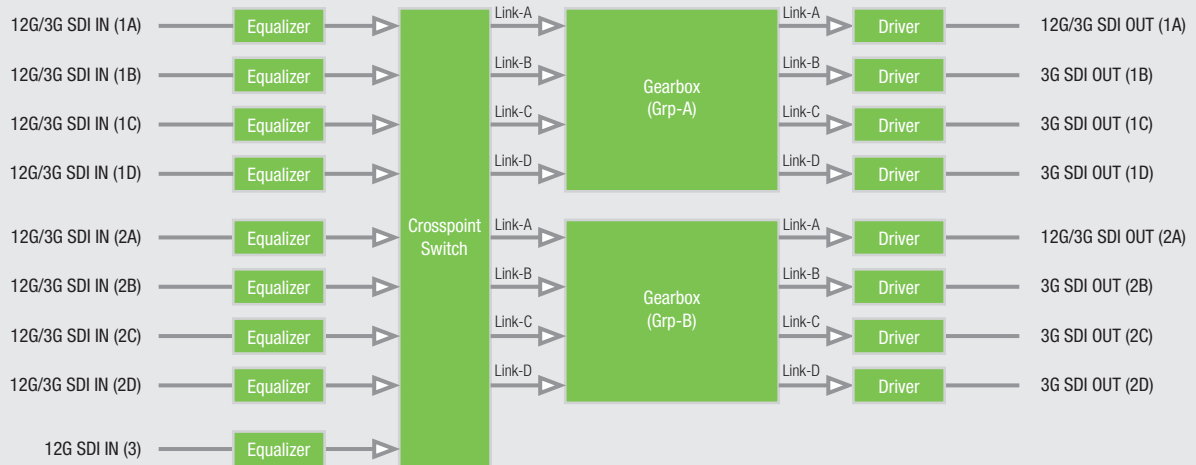


12G-SDI transmission greatly reduces cables

Conversion of 12G-SDI router output to quad link 3G-SDI for monitors



Block diagram



Accessories

AC adapter, AC cord, CD-ROM (user manuals (PDF))

MFC-2GB Datasheet

1. Specifications

Basic specifications

Temperature	0°C to 40°C
Humidity	30% to 85% (no condensation)
Power	DC 12 V
Consumption	AC 100-120 V: 90 VA (50 W) AC 220-240 V: 99 VA (52 W)
Dimensions	212 (W) x 44 (H) x 350 (D) mm
Weight	3 kg
Consumables (at 24-hour operation)	Cooling fan: Replace every 4 years. AC adapter: Replace every 5 years.

Technical specifications

Video format	4K UHD: 3840 x 2160p/59.94, 50 Single-Link 12G-SDI or Quad-Link 3G-SDI (Level-A)
Video input	75Ω BNC x 9
Single-Link 12G-SDI	Max. x9 (SMPTE ST 2082-10 compliant)
Quad-Link 3G-SDI	Max. x2 (SMPTE ST 425-5 compliant)
Video output	75Ω BNC x 8
Single-Link 12G-SDI	Max. x2 (SMPTE ST 2082-10 compliant)
Quad-Link 3G-SDI	Max. x2 (SMPTE ST 425-5 compliant)
Quantization	10-bit 4:2:2
Genlock input (REF IN)	BB: 0.429V(p-p) (NTSC), 0.45V(p-p) (PAL), or Tri-level Sync: 0.6V(p-p)
Sync mode	GENLOCK or SDI INPUT (1H and AVDL)
I/O delay adjustment	0 frame+[0.3-1] H, 1 frame+[0-1]H
Ancillary data	Pass-through or masked selectable

Options

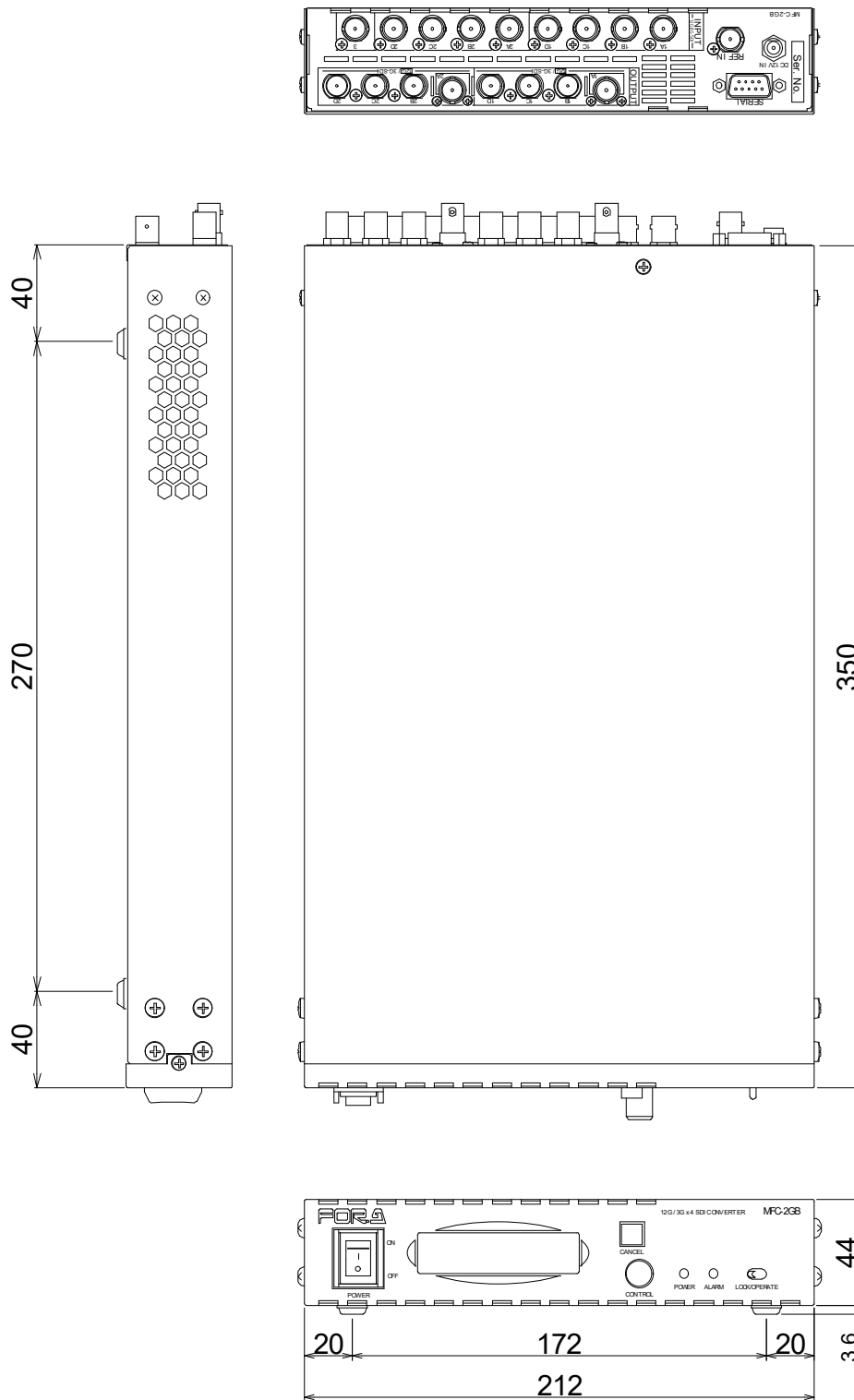
Rack mount bracket set (Type 1)	For mounting single unit to a 1RU rack space.
Rack mount bracket set (Type 2)	For mounting two units to a 1RU rack space.

Accessories

AC adapter, AC cord, and CD-ROM

2. External Dimensions

(All dimensions in mm.)





FOR-A COMPANY LIMITED www.for-a.com

ISO 9001 and 14001 certified
(Sakura R&D)

Head Office:

3-8-1 Ebisu, Shibuya-ku, Tokyo 150-0013, Japan
Tel: +81 (0)3-3446-3936

**FOR-A Corporation of America
Corporate Office/Service Center:**

11155 Knott Ave., Suite G, H & I, Cypress, CA 90630, U.S.A.
Tel: +1 714-894-3311

FOR-A Corporation of America Northeast Office:

1360 Clifton Ave., Clifton, NJ 07012, U.S.A.
Tel: +1 973-220-8471

FOR-A Corporation of America Southeast Office:

Tel: +1 305-773-7608

FOR-A Corporation of America Support Center:

2400 N.E. Waldo Road, Gainesville, FL 32609, U.S.A.
Tel: +1 352-371-1505

FOR-A Latin America and the Caribbean Miami Office:

Tel: +1 657-600-5759

FOR-A Latin America and the Caribbean Sao Paulo Office:

Tel: +55 (0)11-99913-3751

FOR-A Europe S.r.l.:

Via Volturmo, 37, 20861 Brugherio MB, Italy
Tel: +39 039-916-4811

FOR-A UK Limited:

Trident Court, 1 Oakcroft Road, Chessington, KT9 1BD, UK
Tel: +44 (0)20-3044-2935

FOR-A Italia S.r.l.:

Via Volturmo, 37, 20861, Brugherio MB, Italy
Tel: +39 039-881-086/103

FOR-A Corporation of Korea:

1007, 57-5, Yangsan-ro, Yeongdeungpo-gu, Seoul 07271, Korea
Tel: +82 (0)2-2637-0761

FOR-A China Limited:

1618 Huateng Building, No. 302, 3 District, Jinsong, Chaoyang,
Beijing 100021, China
Tel: +86 (0)10-8721-6023

FOR-A Middle East-Africa Office:

DSC Tower, Office 207, Dubai Studio City,
P.O. Box 502688, Dubai, UAE
Tel: +971 4-551-5830

FOR-A India Private Limited. Corporate Office:

Unit No: 800, 8th Floor, World Trade Tower "B", C-1,
Sector-16, Noida-201301, Uttar Pradesh, India
Tel: +91-120-04238674/+91-120-4252330

FOR-A India Private Limited. Mumbai Office:

202-203, 2nd Floor, Wellington Business Park No-01, Marol, Off,
Andheri Kurla Road, Andheri East, Mumbai-400059, Maharashtra,
India
Tel: +91-022-49795570

FOR-A South East Asia Office:

Studio 09, Rm. A1, 3/F., Phase 1, Hang Fung Ind. Bldg., 2G Hok
Yuen St., Hung Hom, Hong Kong
Tel: +852 2110-9227